

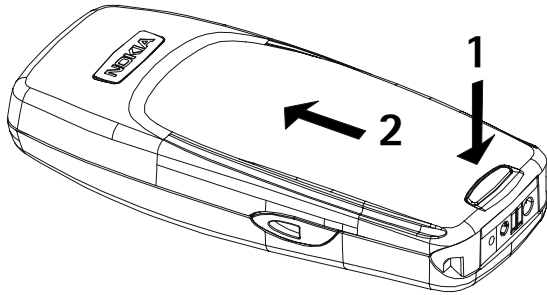
Programmes After Market Services NHM-2/5nx,ny/6/9 Series Transceivers

Disassembly

Table of Contents

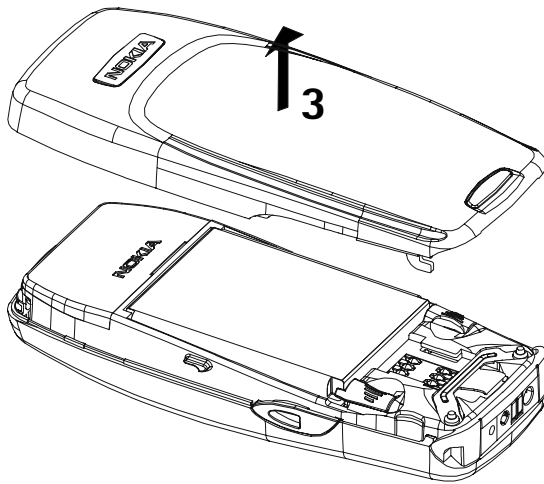
| | Page No |
|-----------------------------------|---------|
| Disassembly Procedure..... | 3 |
| Remove B Cover | 3 |
| Remove Battery | 3 |
| Remove A Cover | 4 |
| Remove Antenna | 4 |
| Remove Screws - Torx#6 | 5 |
| Remove Lightguide Assembly | 5 |
| Remove PCB | 6 |
| Remove Speaker | 6 |
| D-Cover- Removable Parts | 7 |
| Remove Battery Lock | 7 |
| Re-Assembly..... | 8 |
| Mount Battery Lock | 8 |
| Mount Components in D-Cover | 8 |
| Mount PCB in D- Cover | 9 |
| Mount lightguide in D-Cover | 9 |
| Fastening the Screws | 10 |
| Mounting the Antenna | 10 |
| Mounting the A-Cover | 11 |
| Mounting the Battery | 11 |
| Mounting the B-Cover | 12 |

Disassembly Procedure

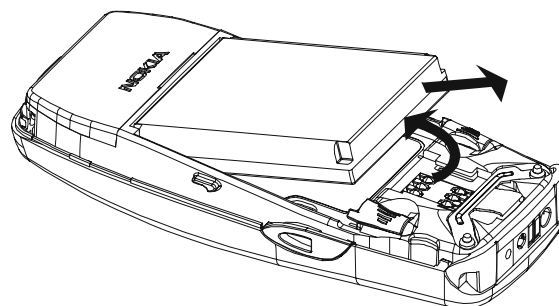
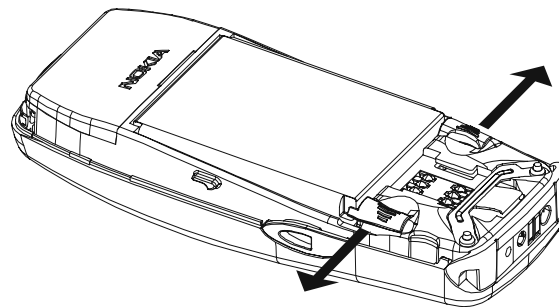


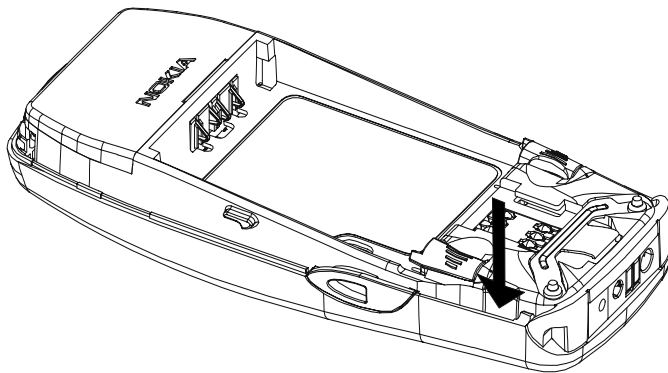
Remove B Cover

1. Press and hold release button.
2. With other hand push B cover in the direction of arrow 2 (see also photograph below). Be careful not to squeeze on the sides of the B-cover during removal.
3. Once B cover is pushed forward lift off to remove.



Remove Battery



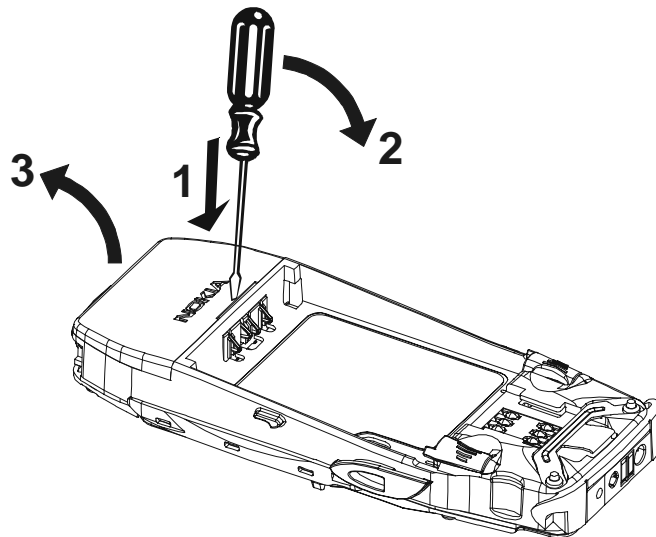


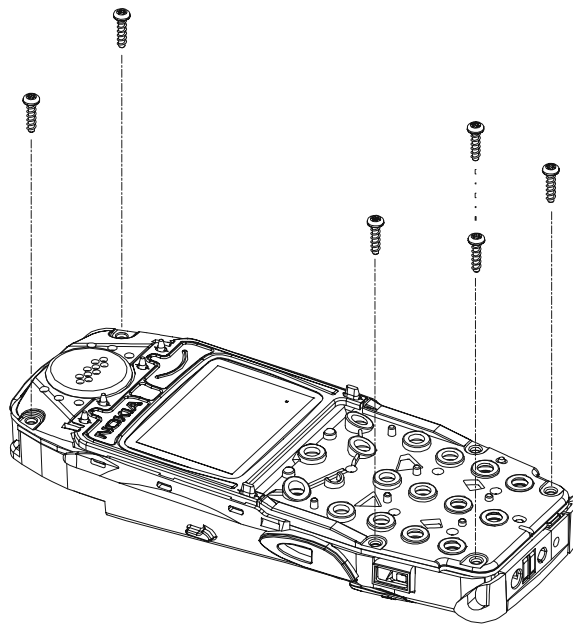
Remove A Cover

Push down the A- cover along the finger groove on the D cover.

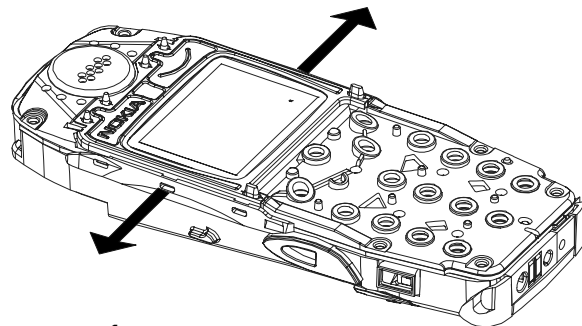
Remove Antenna

1. Insert a straight-bladed screwdriver in the slot between the antenna and D-cover at battery point.
2. Pull screwdriver backwards.
3. Lift antenna from D-cover by pulling it forwards





Remove Screws - Torx#6

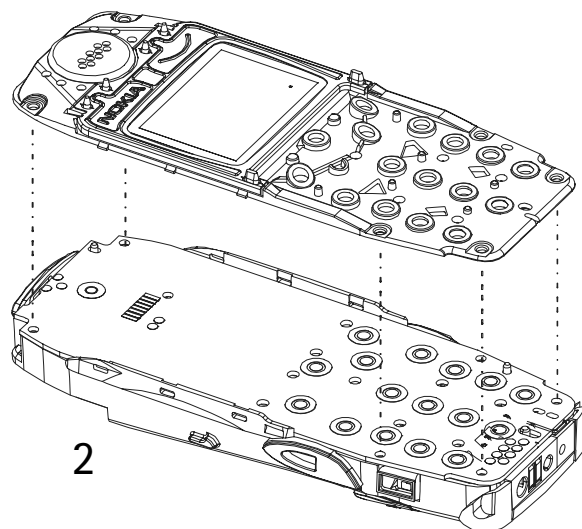


1

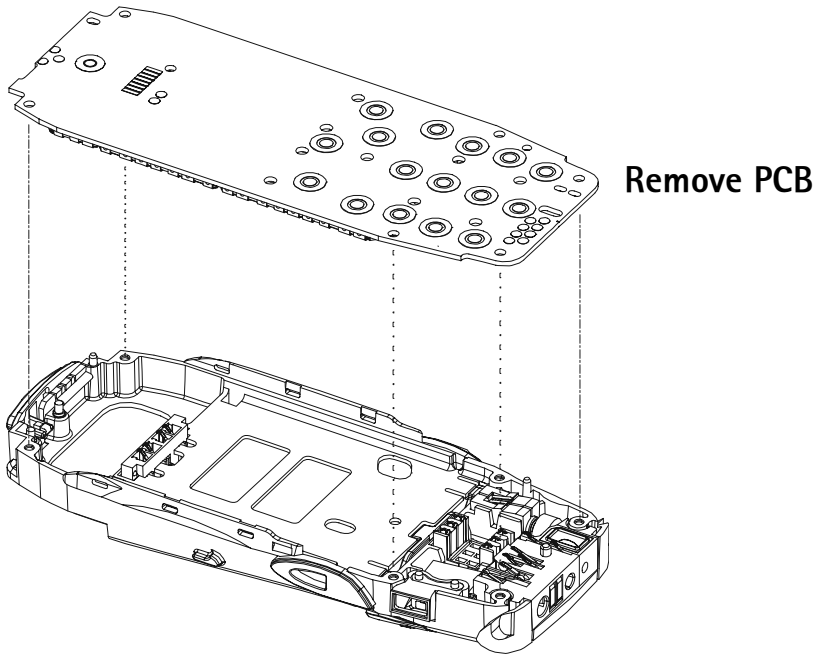
Remove Lightguide Assembly

1. Use a straight-bladed screwdriver or fingers to gently bend the D-cover flaps away from the lightguide.

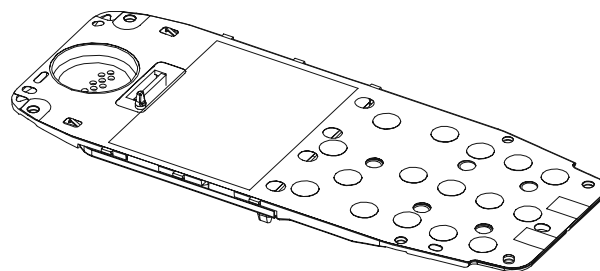
2. Lift the lightguide out of the retaining flap.

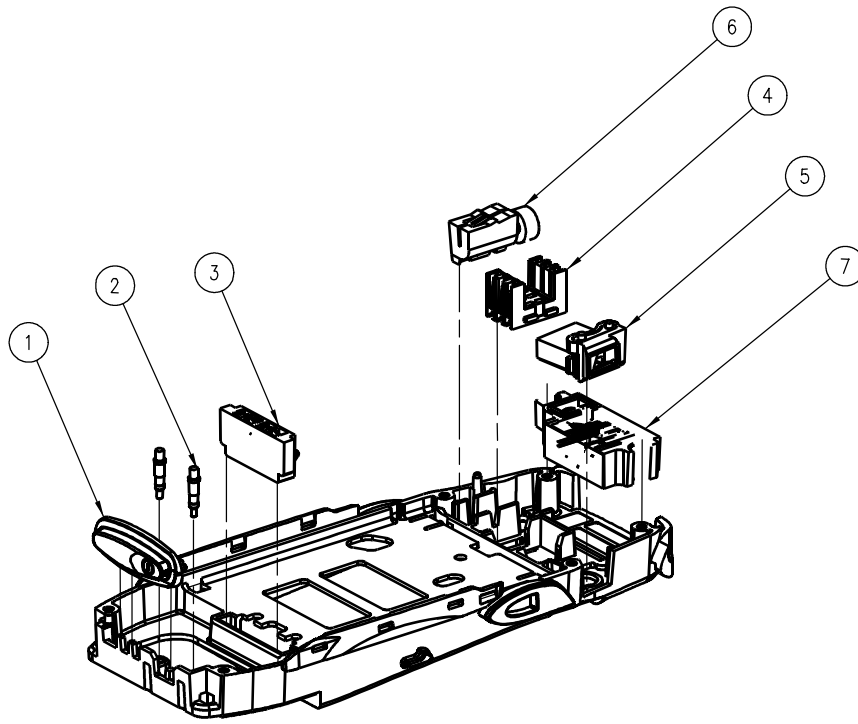


2



Remove Speaker





**D-Cover-
Removable Parts**

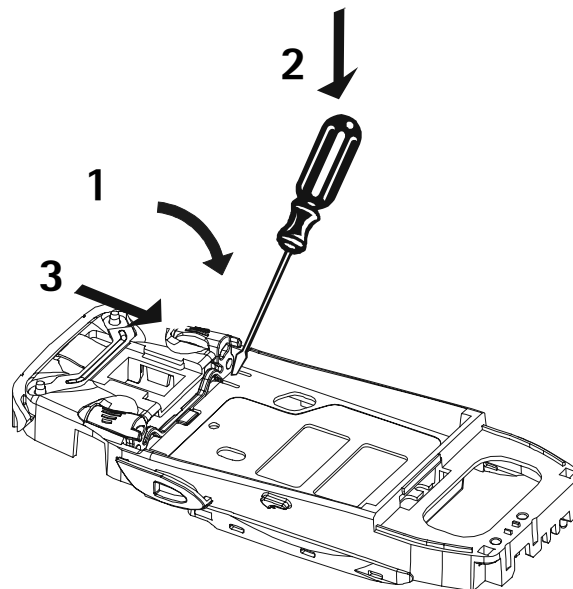
The following components are removable

- 1. Powerkey
- 2. Antenna Contact
- 3. Battery Connector
- 4. SIM Reader
- 5. Buzzer Assembly
- 6. Vibra Assembly
- 7. Bottom Connector

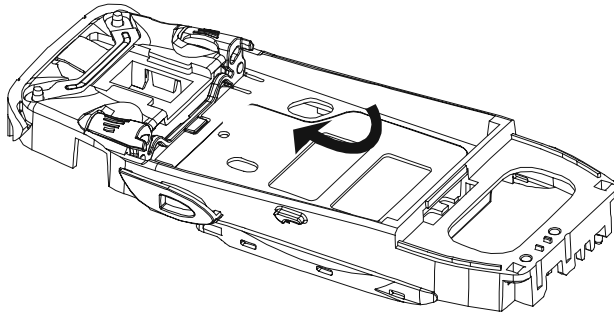
All components can be exchanged individually. The antenna contacts are pushed out using a torx #6 screwdriver.

Remove Battery Lock

- 1. Push the battery lock up
- 2. Use a screwdriver to push down the retaining ribs
- 3. Remove the battery lock by pushing it forward



Re-Assembly

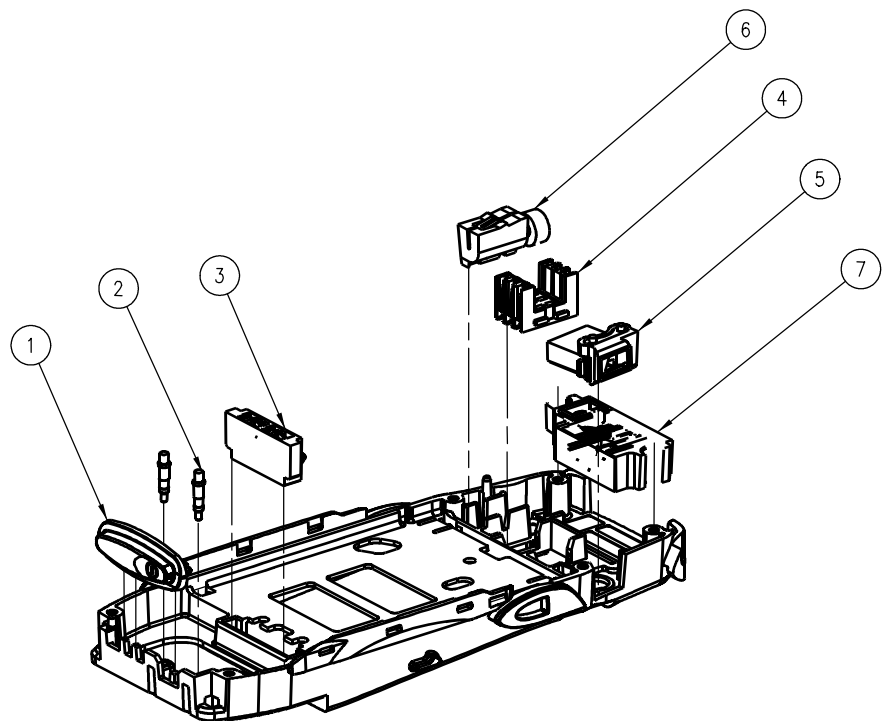


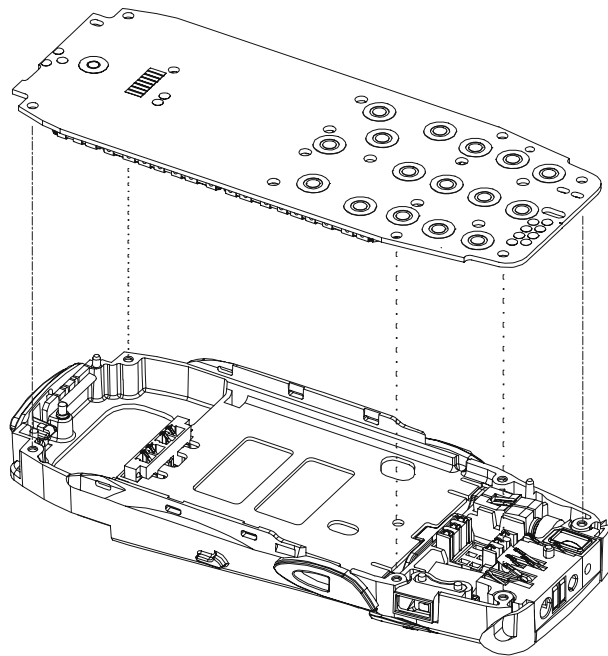
Mount Battery Lock

1. Place battery lock in D-cover
2. push the battery lock down and towards the back until it clicks.

Mount Components in D-Cover

Important: Ensure all components are placed correctly



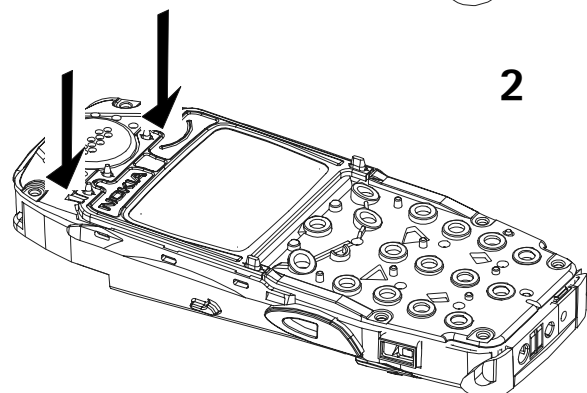
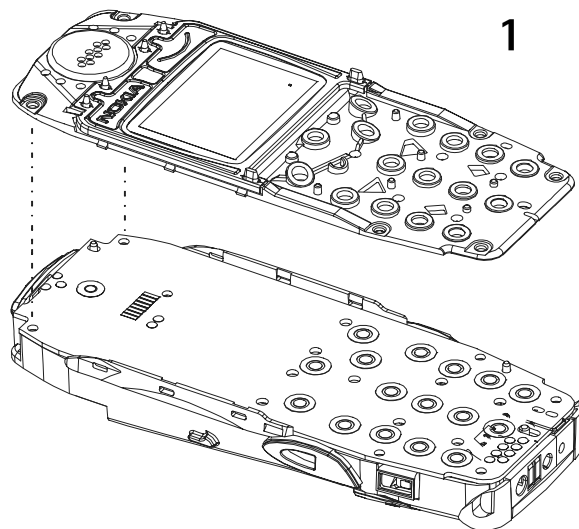


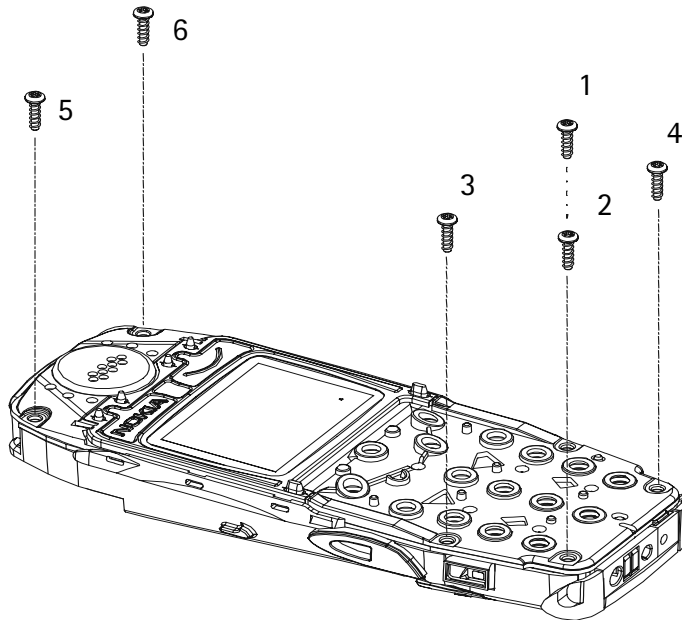
Mount PCB in D- Cover

Mount lightguide in D-Cover

- 1. Place the lightguide in the D-Cover.
- 2. Push the lightguide down until retaining flaps snap on.

Note: Check that the speaker is mounted in the lightguide.



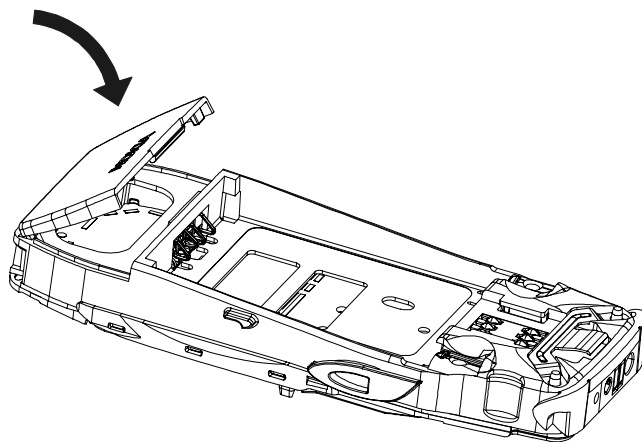


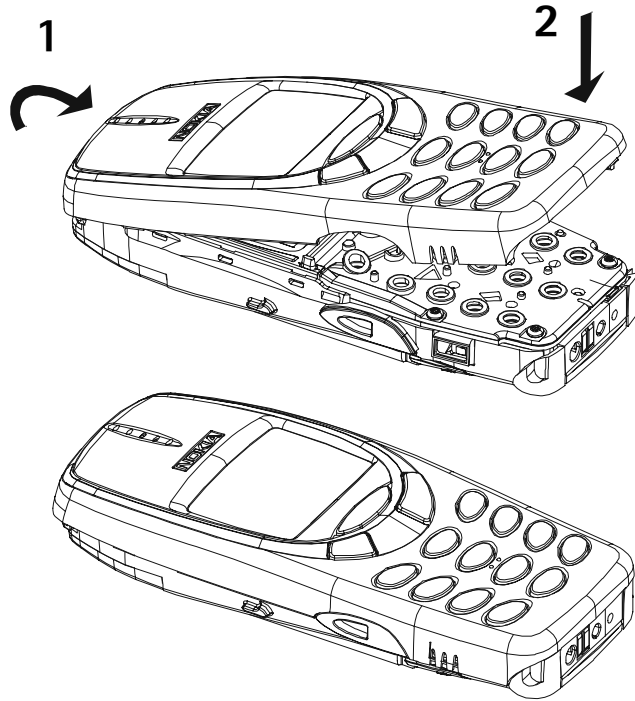
Fastening the Screws

Use a torx #6 screwdriver to fasten the screws in the order shown in the diagram. **Max torque 18Ncm at 300RPM.**

Mounting the Antenna

Place the antenna hooks in the D-Cover. Push down the antenna until it locks in the snap.



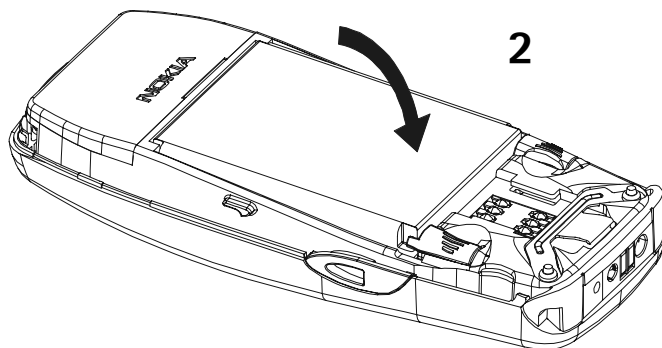
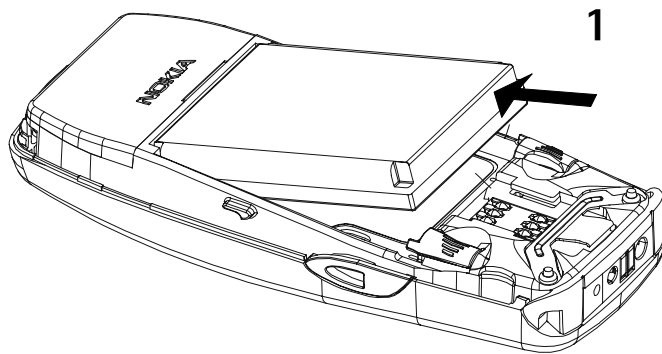


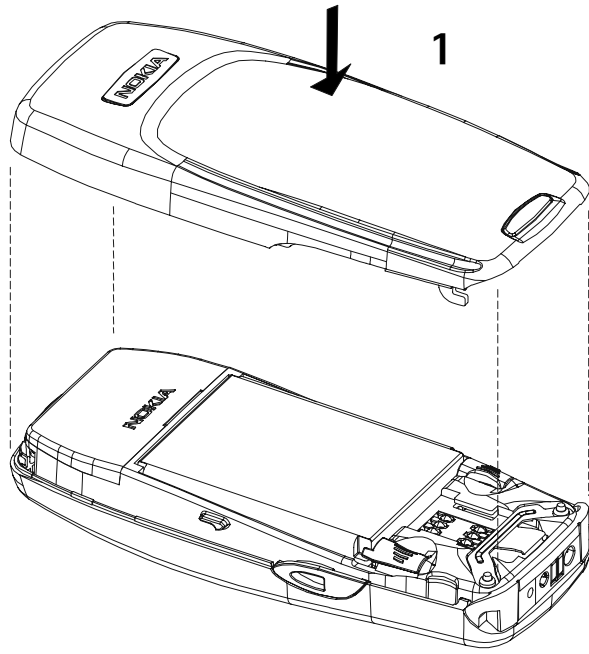
Mounting the A-Cover

- 1. Slide the A-Cover on to the D-Cover
- 2. Push down the lower end of the A-Cover until it snaps on.

Mounting the Battery

- 1. Slide the battery side with the PCB pads under the hooks in the D-cover.
- 2. Push down the battery until it locks.





Mounting the B-Cover

