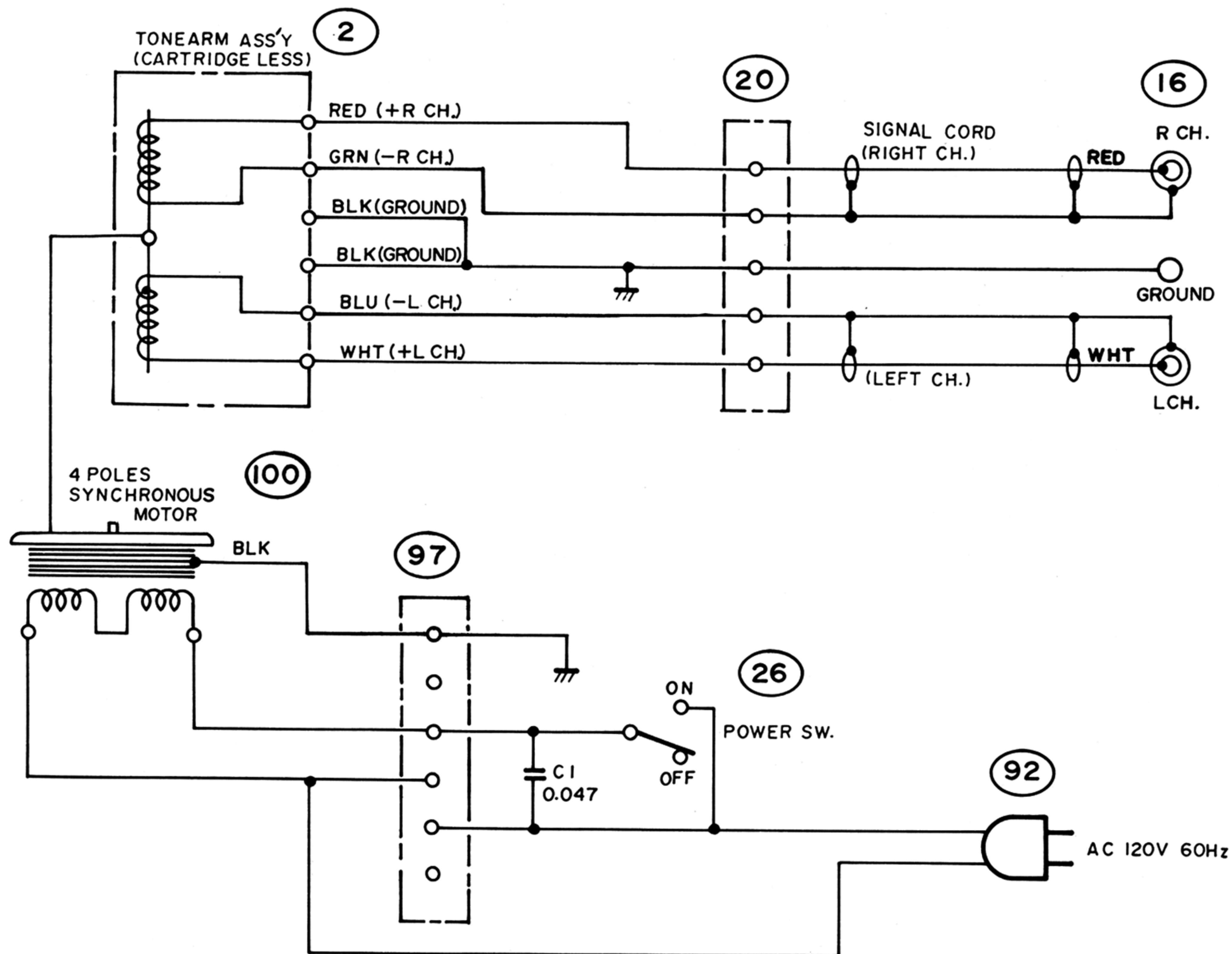


The home of the turntable

THE VINYL ENGINE®

For more turntable manuals and setup information
please visit www.vinylengine.com

SCHEMATIC DIAGRAM FOR MODEL 6100



NOTE: This schematic diagram applies to units manufactured for the U.S.A. & Canadian Market.

2-20-1976

2949856010

Printed in Japan