



Parts Catalog - CLP-31x Series



The smallest / The lowest noise
High Quality Multi-path CLBP

- Model series : CLP-310/315
CLP-310N (Network model)
CLP-315W (Wireless model)
- Speed(Color/Mono) : 4/16 ppm(A4). 4/17ppm(Let)
- Printing resolution : Max. 2,400 x 600 dpi

- Emulation : SPL-C
- Memory : 32 MB (Network model : 32MB)
64 MB (Wireless model : 64MB)
- Processor : Jupiter 375MHz (CLP-310/315/310N)
Chorus 360MHz (CLP-315W)
- Interface : IEEE 802.3, Ethernet(10/100Mbps)
Wireless: IEEE 802.11b/g
(Only wireless model)

- Toner Cartridge
 - Initial : 1K Toner(K), 0.7K Toner(C,M,Y, each)
 - Sales : 1.5K Toner(K), 1K toner(C, M, Y each)
- Printer Life : 100,000 pages
Monthly Max. Duty : 20,000 pages/month

**This Parts Catalog is a property of Samsung Electronics Co.,Ltd.
Any unauthorized use of this manual can be punished under
applicable International and/or domestic law.**

ExplodedView and Parts List

Contents

Power Cord	2	8. Main Drive1	19
Thumbnail	3	9. Main Drive2	21
1. Main	4	10. Fuser Unit	23
2. Cover Front	7	11. Tank Waste Unit	25
3. Cover Top.....	9	12. Cassette.....	27
4. Rear Cover	11	13. Frame Sub Unit 1 (MEA UNIT-PICK UP ROLL)	29
5. Transfer Unit	13	14. Frame Sub Unit 2 (MEA UNIT-FRAME EXIT)	31
6. Frame1	15	15. Frame Sub Unit 3 (MEA UNIT-GUIDE PICK UP)	33
7. Frame2.....	17		

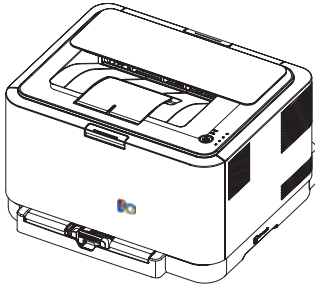
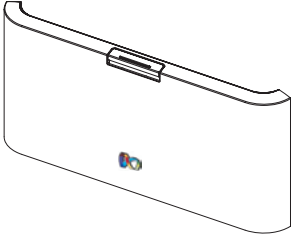
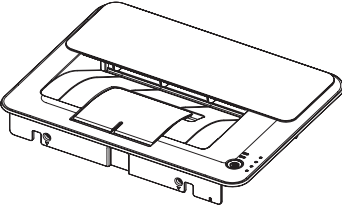
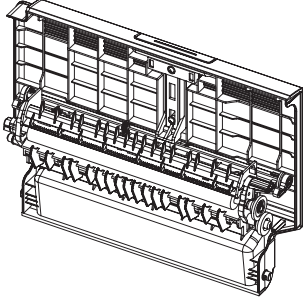
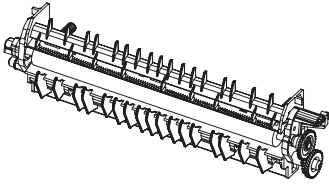
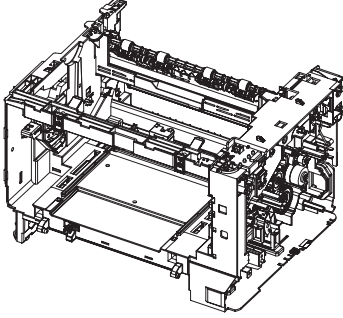
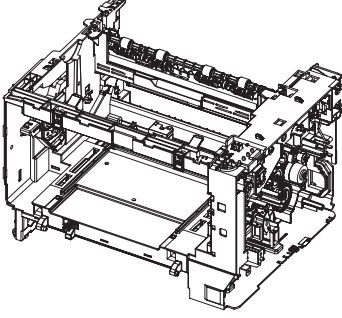
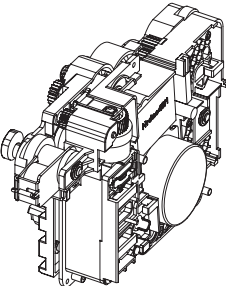
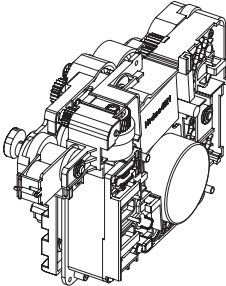
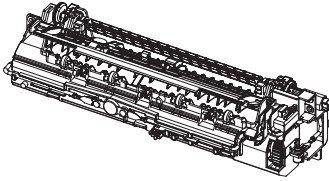
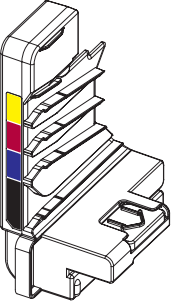
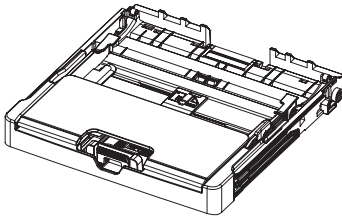
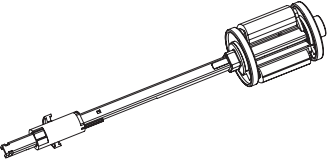
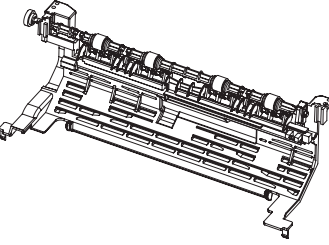
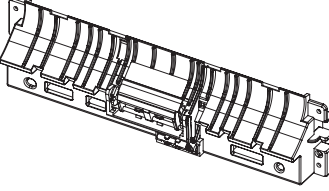
Power Cord

Power Cord differs by countries. Please check your country code.

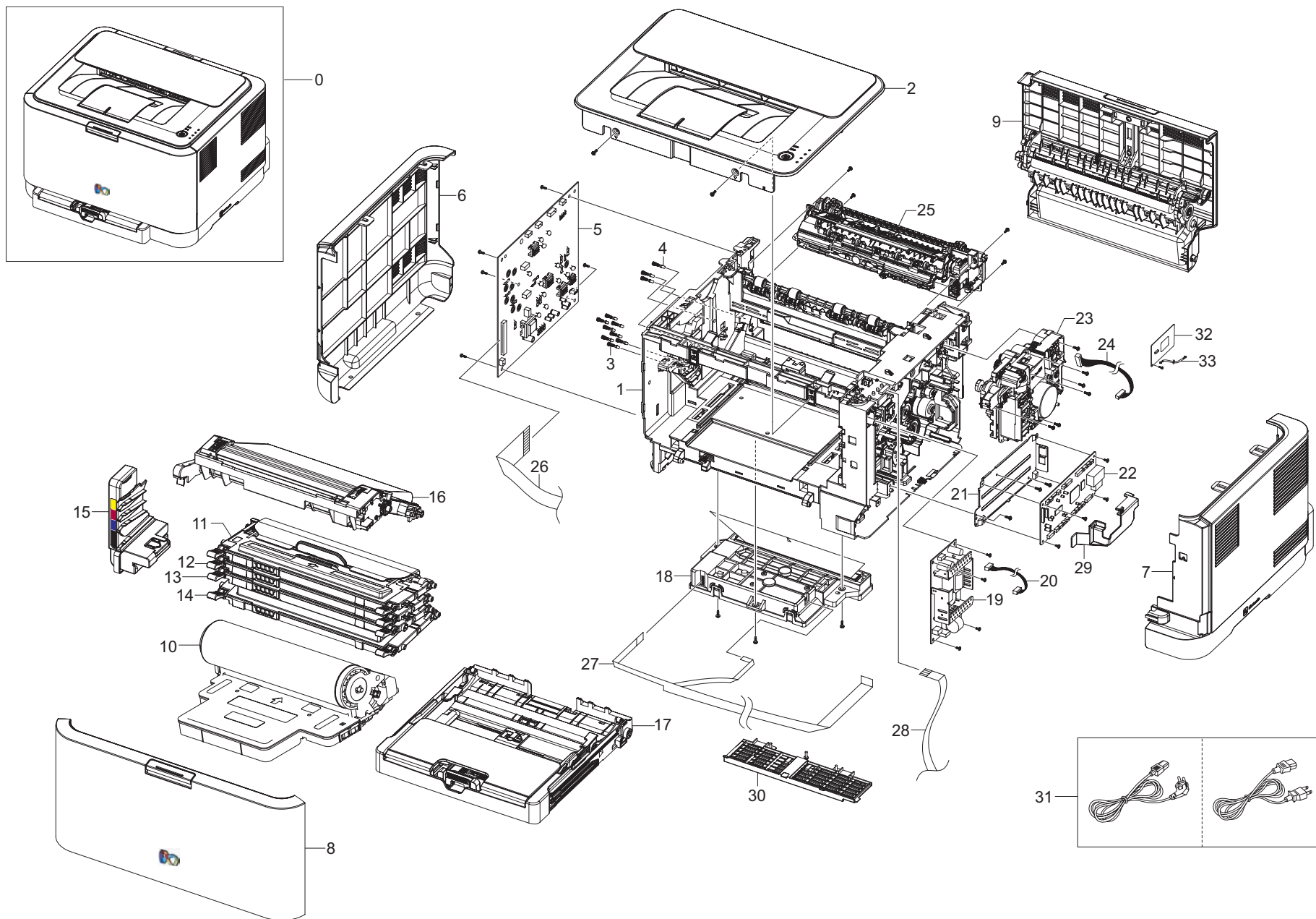
Top View	Side View	Part Code
		Usable Country Code
		3903-000020
		XAZ
		3903-000042
		SEE / STS / XSA / XSG XSS / XEV / XEG
		3903-000050
		XFA / XIP
		3903-000067
		XEU / XSS
		3903-000082
		XIL

Top View	Side View	Part Code
		Usable Country Code
		3903-000085
		XAA / XAX
		3903-000133
		KOR
		3903-000146
		XBH
		3903-000182
		ETS
		3903-000227
		TED

Thumbnail

				
<p>1. Main</p>	<p>2. Cover Front</p>	<p>3. Cover Top</p>	<p>4. Cover Rear</p>	<p>5. Transfer Unit</p>
				
<p>6. Frame1</p>	<p>7. Frame2</p>	<p>8. Main Drive1</p>	<p>9. Main Drive2</p>	<p>10. Fuser Unit</p>
				
<p>11. Tank Waste Unit</p>	<p>12. Cassette</p>	<p>13. Frame Sub Unit 1</p>	<p>14. Frame Sub Unit 2</p>	<p>15. Frame Sub Unit 3</p>

1. Main



Main Parts List

Ver. 1.00

SA : SERVICE AVAILABLE, SNA : SERVICE not AVAILABLE

Drawer#	SEC_Code	Description	QT'y	Service	Grade	Remark
0	CLP-310 series	A4 COLOR LASER PRNTER	1	-	-	Gray color
0	CLP-315 series	A4 COLOR LASER PRNTER	1	-	-	Black color
1	JC97-03020A	MEA UNIT-FRAME	1	SNA	B	310/315/ 310N
1	JC97-03478A	MEA UNIT-FRAME	1	SNA	B	315W
2	JC97-03033A	MEA UNIT-COVER TOP	1	SA	B	315
2	JC97-03033B	MEA UNIT-COVER TOP	1	SA	B	310
2	JC97-03033C	MEA UNIT-COVER TOP	1	SA	B	310N
2	JC97-03033D	MEA UNIT-COVER TOP	1	SA	B	315W
3	JC96-01673A	ELA UNIT-TERMINAL TR S	2	SA	B	
4	JC97-01771A	MEA UNIT-TERMINAL S	9	SA	A	
5	JC44-00164A	HVPS	1	SA	A	
6	JC63-01583A	COVER-LEFT,Black	1	SA	A	315/315W
6	JC63-01583B	COVER-LEFT,Gray	1	SNA	A	310/310N
7	JC63-01584A	COVER-RIGHT,Black	1	SNA	B	315
7	JC63-01584B	COVER-RIGHT,Gray	1	SNA	B	310
7	JC63-01584C	COVER-RIGHT,Gray	1	SNA	B	310N
7	JC63-01584D	COVER-RIGHT,Black	1	SNA	B	315W
7	JC63-01584E	COVER-RIGHT,Black	1	SNA	B	315W/XEG
8	JC96-04773A	ELA UNIT-COVER FRONT,Black	1	SA	A	315/315W
8	JC96-04773B	ELA UNIT-COVER FRONT,Gray	1	SA	A	310/310N
9	JC97-03032A	MEA UNIT-COVER REAR,Black	1	SA	A	315/315W
9	JC97-03032B	MEA UNIT-COVER REAR,Gray	1	SA	A	310/310N
10	JC96-04837E	CARTRIDGE-DRUM	1	SNA	B	Sales Item
11	JC96-04752A	CARTRIDGE-TONER Y	1	SNA	B	Sales Item
12	JC96-04753A	CARTRIDGE-TONER M	1	SNA	B	Sales Item
13	JC96-04754A	CARTRIDGE-TONER C	1	SNA	B	Sales Item
14	JC96-04755A	CARTRIDGE-TONER K	1	SNA	B	Sales Item
15	JC97-03021A	MEA UNIT-TANK WASTE	1	SA	B	

Drawer#	SEC_Code	Description	QT'y	Service	Grade	Remark
16	JC96-04840A	CARTRIDGE-TRANSFER	1	SA	A	
17	JC97-03036A	MEA UNIT-CASSETTE,Black	1	SA	A	315
17	JC97-03036B	MEA UNIT-CASSETTE,Gray	1	SA	A	XEV,XAA
17	JC97-03036G	MEA UNIT-CASSETTE,Black	1	SA	A	315W/SEE
17	JC97-03036H	MEA UNIT-CASSETTE,Gray	1	SA	A	SEE,ETS, STS
18	JC96-04826A	ELA UNIT-LSU	1	SA	A	
19	JC44-00095B	SMPS-V1	1	SA	B	110V
19	JC44-00096B	SMPS-V2C	1	SA	B	220V
20	JC39-00894A	HARNESS-SMPS	1	SNA	A	
21	JC63-01653A	SHIELD-MAIN LOWER	1	SNA	A	
22	JC92-02113A	PBA-VE MAIN	1	SA	A	Refer to next page
22	JC92-02114A	PBA-VE MAIN	1	SA	A	Refer to next page
22	JC92-02115A	PBA-VE MAIN	1	SA	A	Refer to next page
22	JC92-02116A	PBA-VE MAIN	1	SA	A	Refer to next page
22	JC92-02117A	PBA-VE MAIN	1	SA	A	Refer to next page
22	JC92-02118A	PBA-VE MAIN	1	SA	A	Refer to next page
22	JC92-02030A	PBA-VE MAIN	1	SA	A	Refer to next page
22	JC92-02030B	PBA-VE MAIN	1	SA	A	Refer to next page
23	JC96-04750A	ELA UNIT-DRIVE MAIN	1	SA	B	
24	JC39-00899A	HARNESS-BLDC	1	SNA	B	
25	JC96-05491B	ELA UNIT-FUSER	1	SA	A	220V
25	JC96-05492B	ELA UNIT-FUSER	1	SA	A	110V
26	JC39-00866A	FLAT CABLE	1	SNA	A	

Main Parts List

Ver. 1.00

SA : SERVICE AVAILABLE, SNA : SERVICE not AVAILABLE

Drawer#	SEC_Code	Description	QT'y	Service	Grade	Remark
27	JC39-00867A	FLAT CABLE	1	SNA	A	
28	JC39-00868A	FLAT CABLE	1	SNA	A	
29	JC61-02368A	HOUSING-HARNESS	1	SA	B	
30	JC63-01575A	COVER-HARNESS	1	SA	B	

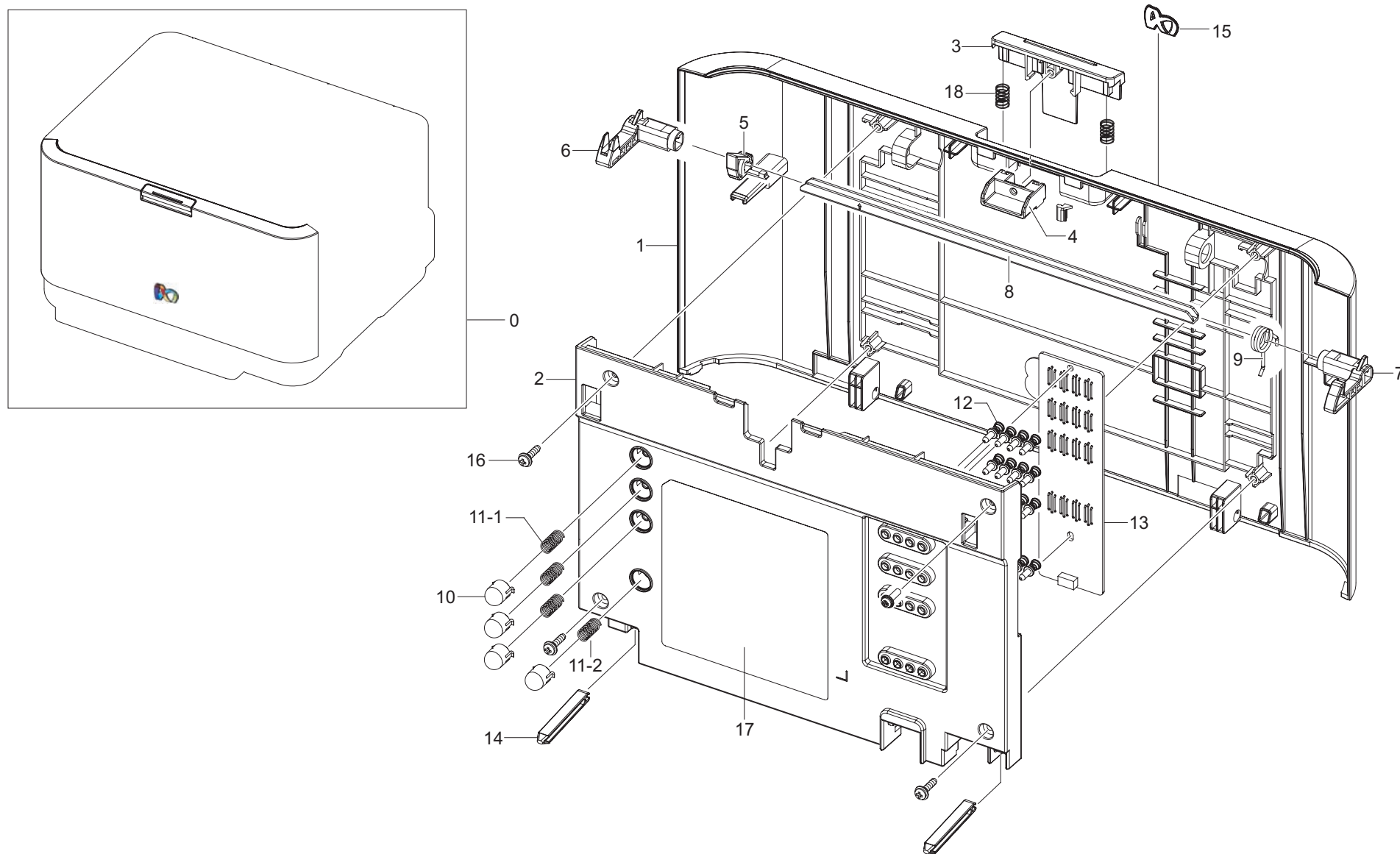
Drawer#	SEC_Code	Description	QT'y	Service	Grade	Remark
31	-	CBF-POWER CORD	1	SA	B	Refer to Power Code list
32	JC92-02025A	PBA SUB-WLAN	1	SA	A	
33	JC39-00970A	HARNESS-WLAN	1	SA	B	

※ PBA-VE MAIN may differ by countries. When replacing this part, please check the part code by country codes.

- ◆ 315W (WLAN Model)
 - JC92-02030A : XAA, XSA, XSS
 - JC92-02030B : SEE, XEG, XEU
- ◆ 310N (Network Model)
 - JC92-02116A : ETS, STS, TEC, XAA, XAX, XAZ, XEV, XFA, XIP, XSA, XSG, XSS
 - JC92-02117A : SEE, XEG, XEU
- ◆ 310, 315 (Basic Model)
 - JC92-02113A : ETS, STS, TEC, TED, XAA, XAX, XAZ, XBH, XEV, XFA, XIP, XSA, XSG, XSS
 - JC92-02114A : SEE, XEU
 - JC92-02115A : XIL

2. Cover Front

Ver. 1.00



Cover Front Parts List

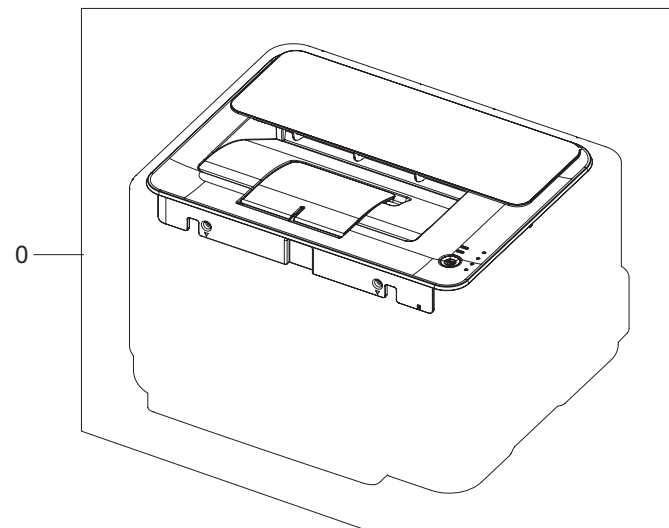
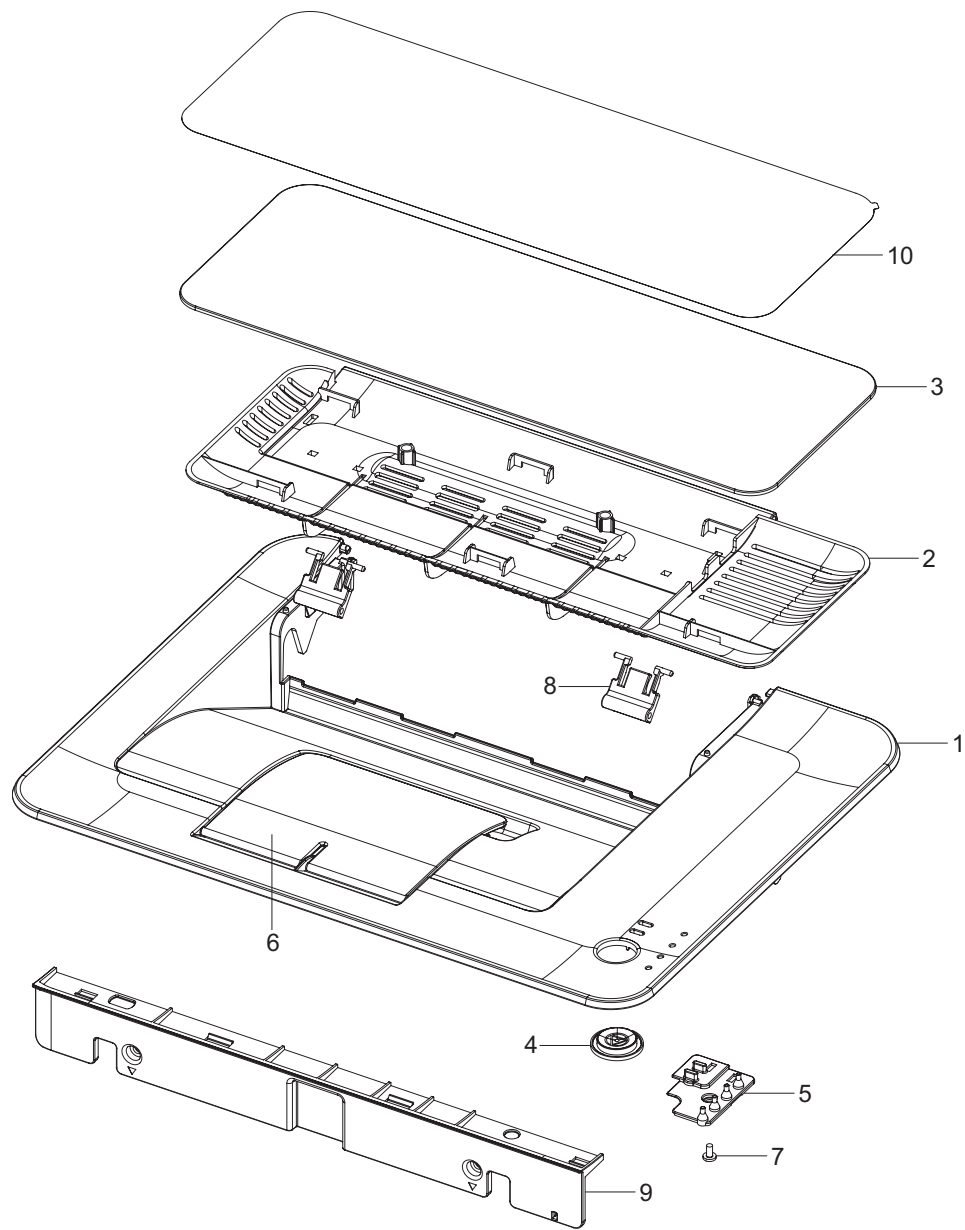
Ver. 1.00

SA : SERVICE AVAILABLE, SNA : SERVICE not AVAILABLE

Drawer#	SEC_Code	Description	QT'y	Service	Grade	Remark
0	JC96-04773A	ELA UNIT-COVER FRONT	1	SA	A	315
0	JC96-04773B	ELA UNIT-COVER FRONT	1	SA	A	310
1	JC63-01626A	COVER-FRONT	1	SNA	A	315
1	JC63-01626B	COVER-FRONT	1	SNA	A	310
2	JC63-01576A	COVER-FRONT INNER	1	SNA	A	315
2	JC63-01576B	COVER-FRONT INNER	1	SNA	A	310
3	JC64-00348A	HANDLE-FRONT	1	SAN	B	315
3	JC64-00348B	HANDLE-FRONT	1	SNA	B	310
4	JC66-01734A	LEVER-FRONT LOCK	1	SAN	B	315
4	JC66-01734B	LEVER-FRONT LOCK	1	SNA	B	310
5	JC61-02255A	HOLDER-HOOK FRONT C	1	SNA	B	
6	JC64-00367A	LOCKER-FRONT_L	1	SA	B	
7	JC64-00368A	LOCKER-FRONT_R	1	SA	B	

Drawer#	SEC_Code	Description	QT'y	Service	Grade	Remark
8	JC66-01789A	SHAFT-LOCK BAR FRONT	1	SNA	B	
9	6107-001392	SPRING-TS	1	SA	B	
10	JC64-00349A	BUTTON-SUPPORT	4	SNA	B	
11-1	6107-001404	SPRING CS	3	SNA	B	
11-2	6107-001403	SPRING CS	1	SNA	B	
12	JC97-03039A	MEA-CRUM TERMINAL	16	SA	A	
13	JC92-01989A	PBA SUB-CRUMJOINT	1	SNA	A	
14	JC66-01748A	LEVER-LSU	2	SNA	B	
15	JC64-00429A	BADGE-COLOR SMALL	1	SNA	A	
16	6003-000196	SCREW-TAPTITE	4	SA	A	
17	JC68-02105A	LABEL-INFORMATION	1	SNA	B	
18	6107-001497	SPRING-CS	2	SA	A	

3. Cover Top



Cover Top Parts List

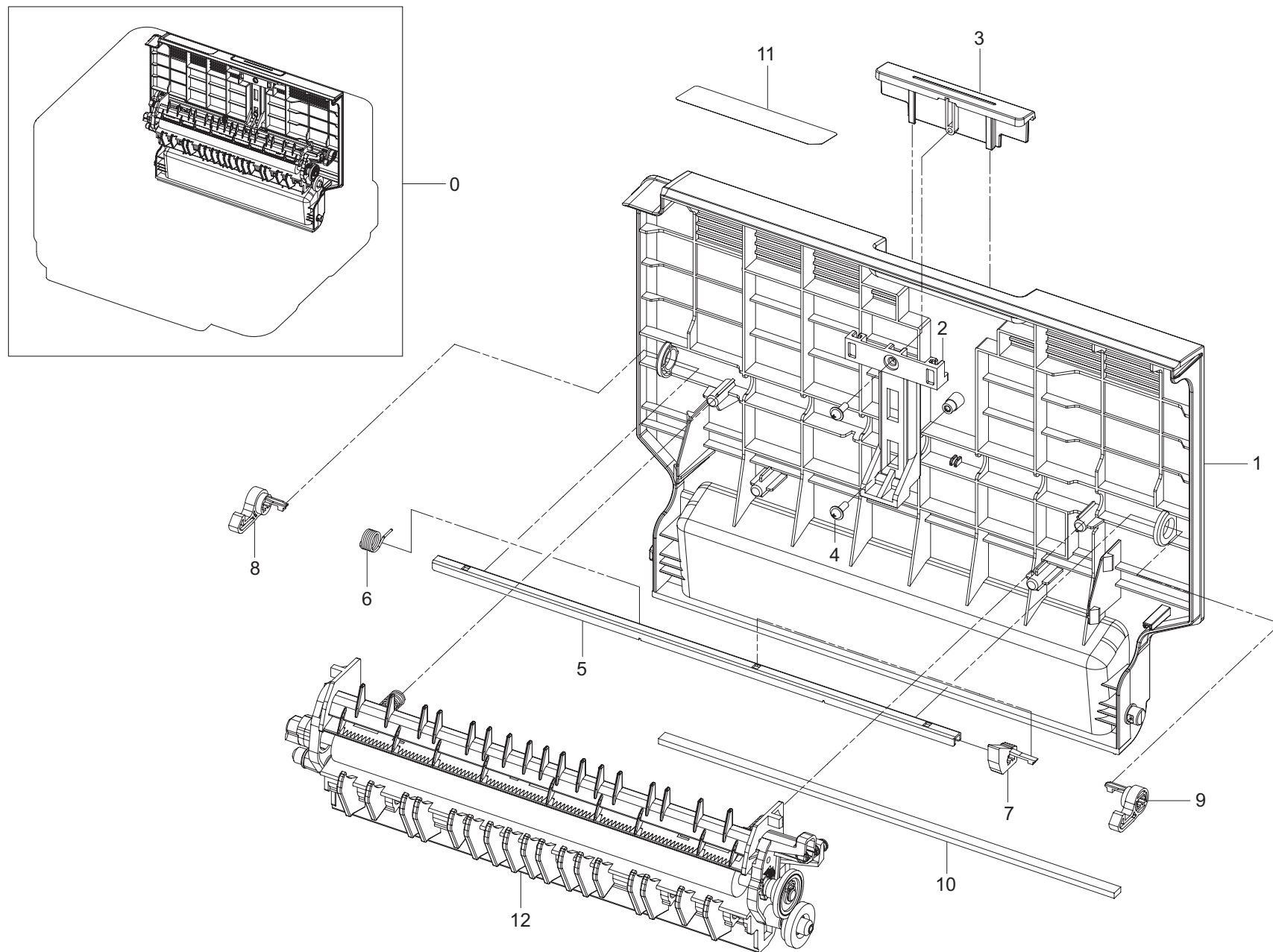
Ver. 1.00

SA : SERVICE AVAILABLE, SNA : SERVICE not AVAILABLE

Drawer#	SEC_Code	Description	QT'y	Service	Grade	Remark
0	JC97-03033A	MEA UNIT-COVER TOP,Black	1	SA	B	315
0	JC97-03033B	MEA UNIT-COVER TOP,Gray	1	SA	B	310
0	JC97-03033C	MEA UNIT-COVER TOP,Gray	1	SA	B	310N
0	JC97-03033D	MEA UNIT-COVER TOP,Black	1	SA	B	315W
1	JC63-01593A	COVER-TOP,Black	1	SNA	B	315
1	JC63-01593B	COVER-TOP,Gray	1	SNA	B	310
1	JC63-01593C	COVER-TOP,Gray	1	SNA	B	310N
1	JC63-01593D	COVER-TOP,Black	1	SNA	B	315W
2	JC63-01633A	COVER-JAM,Black	1	SNA	A	315
2	JC63-01633B	COVER-JAM,Gray	1	SNA	A	310
3	JC63-01596A	COVER-DUST,Black	1	SNA	A	315

Drawer#	SEC_Code	Description	QT'y	Service	Grade	Remark
3	JC63-01596B	COVER-DUST,Gray	1	SNA	A	310
4	JC64-00364A	KEY-OPE,Black	1	SNA	B	315
4	JC64-00364B	KEY-OPE,Gray	1	SNA	B	310
5	JC63-01580A	COVER-LED	1	SNA	B	
6	JC61-02358A	GUIDE-STACKER RX,Black	1	SNA	A	315
6	JC61-02358B	GUIDE-STACKER RX,Gray	1	SNA	A	310
7	6003-000261	SCREW-TAPTITE	3	SNA	D	
8	JC72-01001A	PMO-SUB STACKER	2	SA	A	
9	JC63-01666A	COVER-TOP DUMMY,Black	1	SNA	A	315
9	JC63-01666B	COVER-TOP DUMMY,Gray	1	SNA	A	310
10	JC63-01596B	SHEET-COVER DUST	1	SNA	A	

4. Rear Cover



Rear Cover Parts List

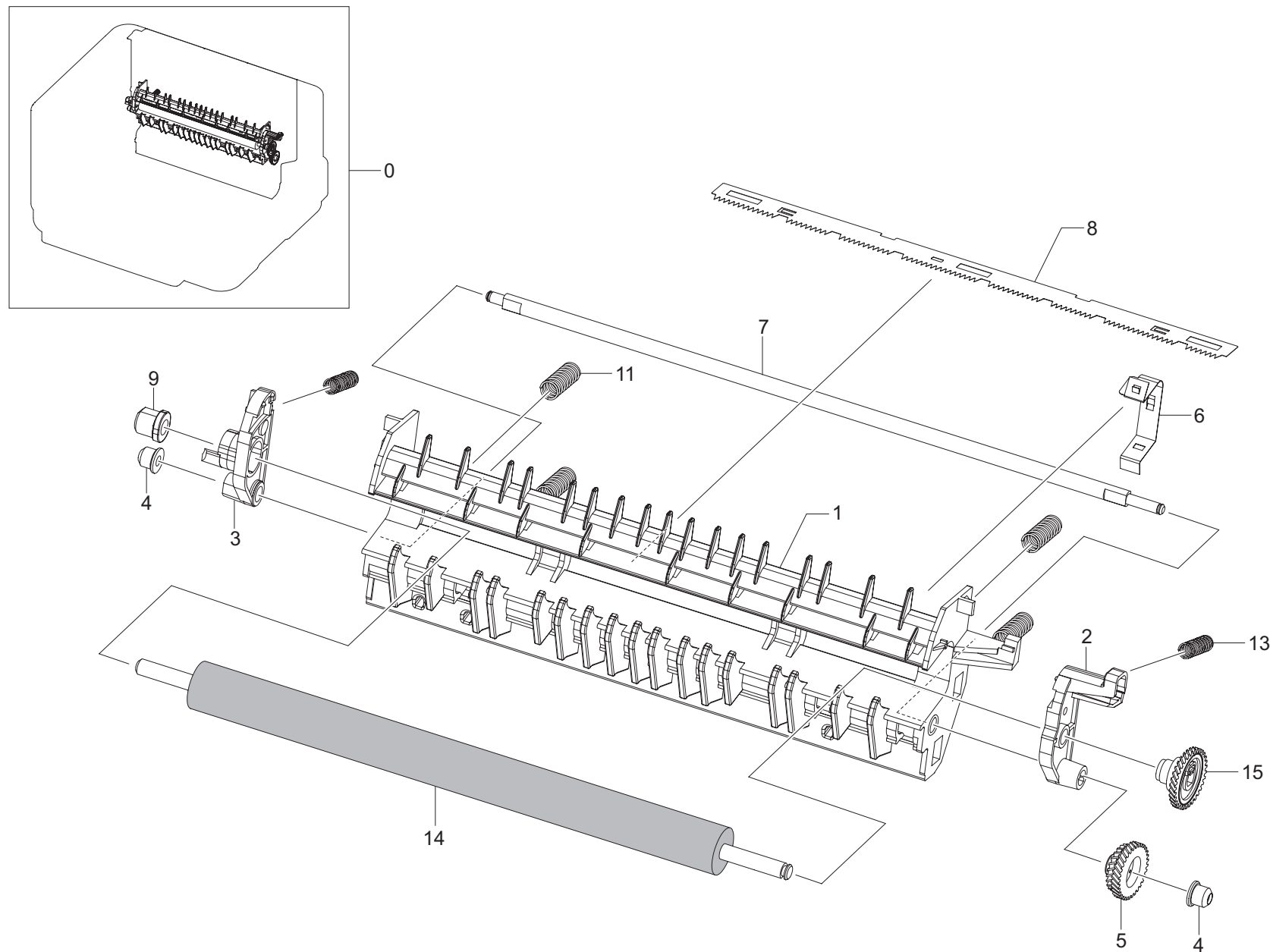
Ver. 1.00

SA : SERVICE AVAILABLE, SNA : SERVICE not AVAILABLE

Drawer#	SEC_Code	Description	QT'y	Service	Grade	Remark
0	JC97-03032A	MEA UNIT-COVER REAR,Black	1	SA	A	315
0	JC97-03032B	MEA UNIT-COVER REAR,Gray	1	SA	A	310
1	JC63-01629A	COVER-REAR	1	SNA	A	315
1	JC63-01629B	COVER-REAR	1	SNA	A	310
2	JC66-01736A	LEVER-REAR LOCK	1	SAN	B	315
2	JC66-01736B	LEVER-REAR LOCK	1	SNA	B	310
3	JC64-00352A	BUTTON-OPEN REAR	1	SNA	B	315
3	JC64-00352B	BUTTON-OPEN REAR	1	SNA	B	310
4	6002-000440	SCREW-TAPPING	2	SA	B	

Drawer#	SEC_Code	Description	QT'y	Service	Grade	Remark
5	JC66-01089A	SHAFT-P-LOCKBAR REAR	1	SNA	B	
6	6107-001268	SPRING-TS	1	SA	B	
7	JC61-01456B	HOLDER-M-HOOK REAR L	1	SNA	A	
8	JC61-01461B	HOLDER-M-HOOK REAR R	1	SNA	A	
9	JC61-02254A	HOLDER-HOOK REAR C	1	SNA	B	
10	JC97-03046A	MEA UNIT-TRANSFER	1	SA	A	
11	JC72-01452A	SPONGE-COVER RIGHT	1	SNA	B	
12	JC68-02037A	LABEL-INFORMATION	1	SNA	A	

5. Transfer Unit



Transfer Unit Parts List

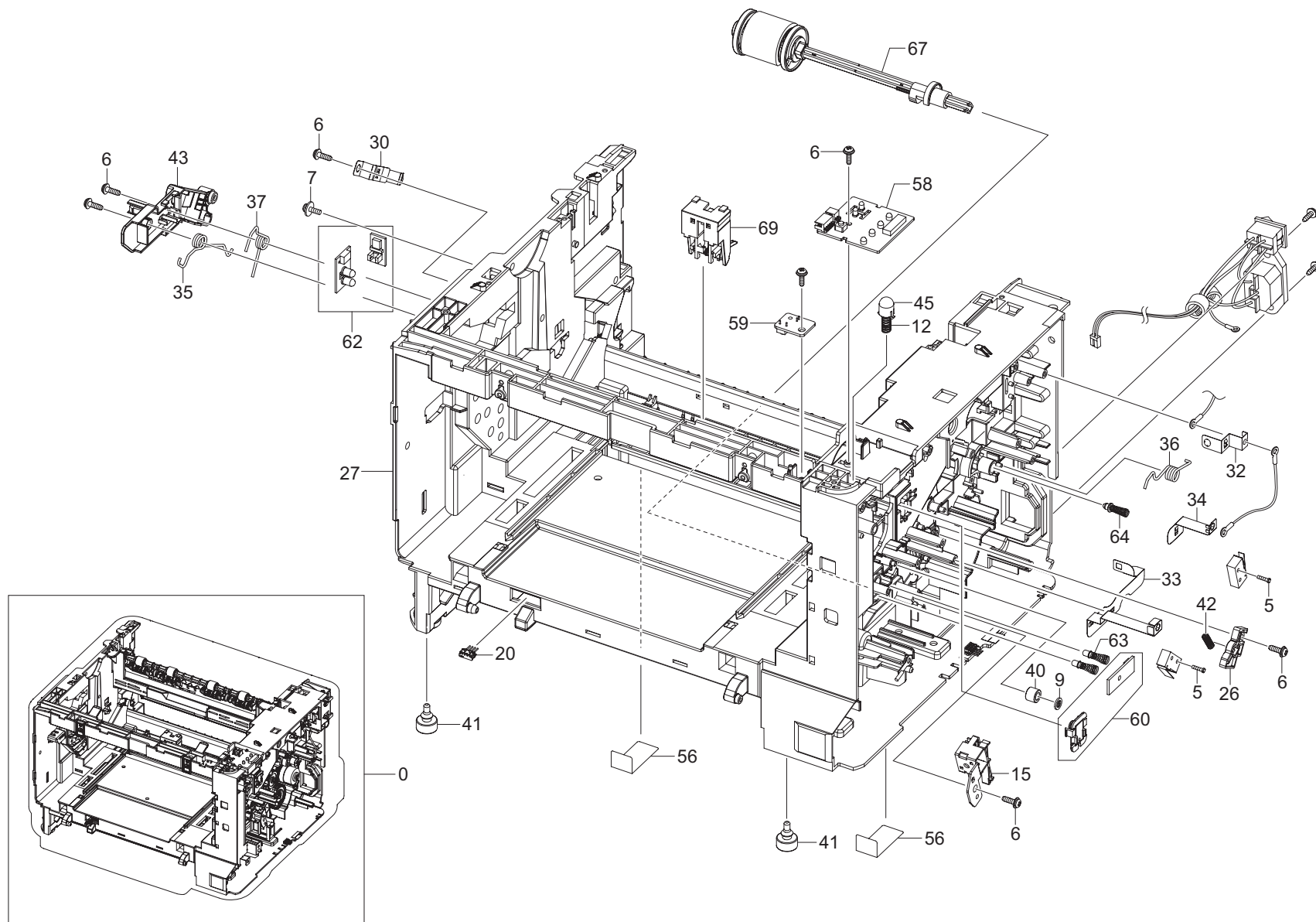
Ver. 1.00

SA : SERVICE AVAILABLE, SNA : SERVICE not AVAILABLE

Drawer#	SEC_Code	Description	QT'y	Service	Grade	Remark
0	JC97-03046A	MEA UNIT-TRANSFER	1	SA	A	
1	JC61-02354A	FRAME-TRANSFER	1	SNA	A	
2	JC66-01747A	LEVER-T2 R	1	SNA	A	
3	JC66-01746A	LEVER-T2 L	1	SNA	A	
4	JC61-01469A	HOLDER-M-LOCATE SHAFT	2	SNA	A	
5	JC66-01745A	GEAR-RDCN T2 DRIVE	1	SA	B	
6	JC61-02380A	PLATE-GND	1	SNA	A	

Drawer#	SEC_Code	Description	QT'y	Service	Grade	Remark
7	JC66-01072A	SHAFT-LOCATE	1	SNA	B	
8	JC70-10232A	IPR-PLATE SAW	1	SA	B	
9	JC61-01543A	BUSH-CHARGE LEFT	1	SNA	B	
10	6107-001278	SPRING-CS	2	SA	B	
13	6107-001383	SPRING-CS	2	SA	B	
14	JC66-01781A	ROLLER-TRANSFER	1	SNA	A	
15	JC66-01743A	GEAR-T2 ROLLER	1	SA	B	

6. Frame1



Frame1 Parts List

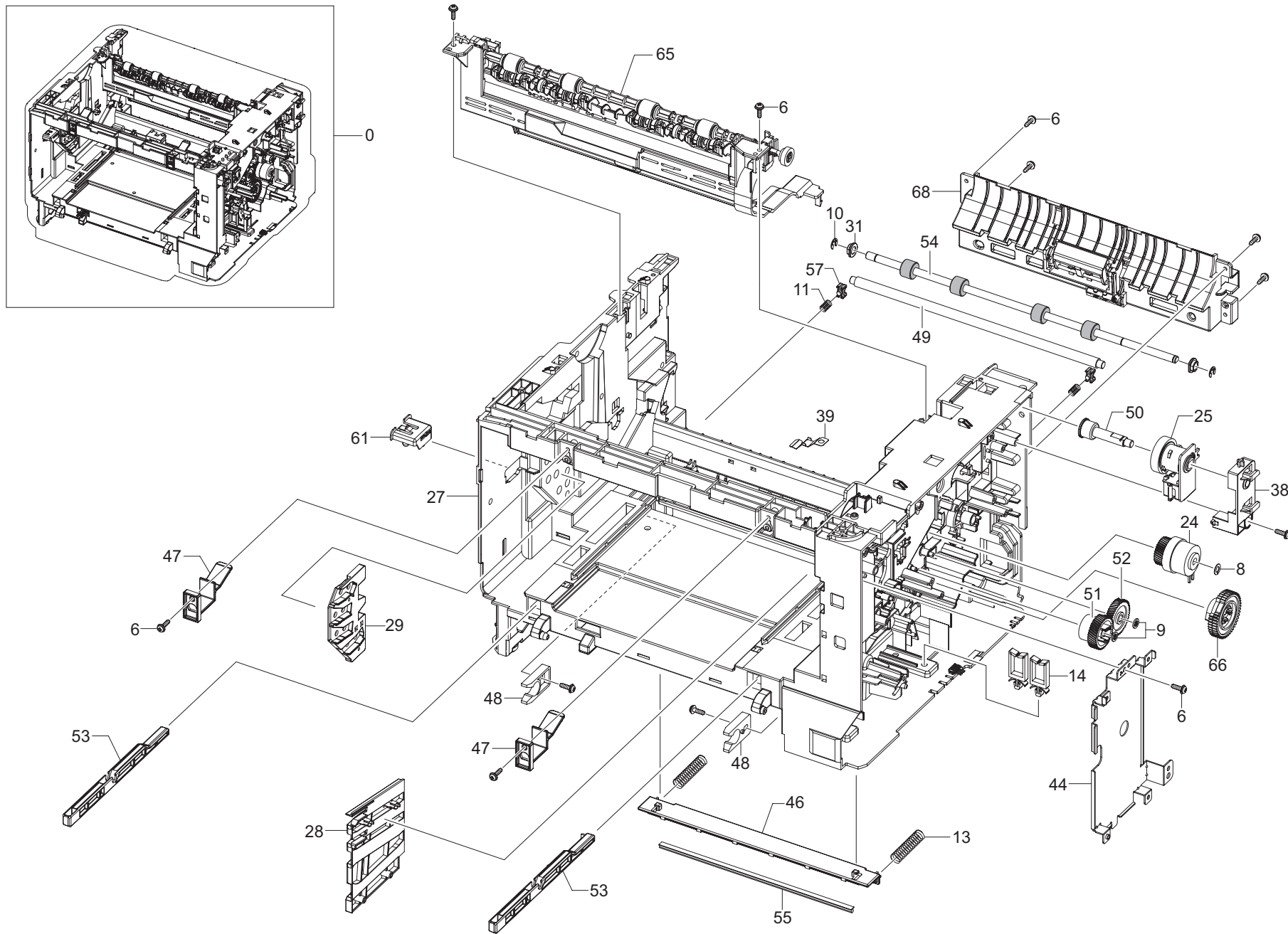
Ver. 1.00

SA : SERVICE AVAILABLE, SNA : SERVICE not AVAILABLE

Drawer#	SEC_Code	Description	QT'y	Service	Grade	Remark
0	JC97-03020A	MEA UNIT-FRAME	1	SA	B	
0	JC97-03478A	MEA UNIT-FRAME W	1	SA	B	315W
5	6003-000152	SCREW-TAPTITE	2	SA	B	
6	6003-000196	SCREW-TAPTITE	25	SA	A	
7	6006-001078	SCREW-TAPTITE	1	SNA	B	
9	6044-000001	RING-CS	3	SNA	B	
12	6107-001120	SPRING CS	1	SA	B	
15	JC33-00026A	SOLENOID-PICK UP	1	SA	A	
20	JC39-00906A	HARNESS-CRUMJOINT	1	SNA	B	
26	JC61-01548A	HOLDER-M-CAM	1	SNA	A	
27	JC61-02326A	FRAME-BASE MILLET	1	SNA	A	
30	JC61-02369A	PLATE-GROUND OPC L	1	SNA	A	
32	JC61-02376A	PLATE-GROUND FUSER	1	SNA	A	
33	JC61-02377A	PLATE-GROUND REGI	1	SNA	A	
34	JC61-02379A	PLATE-GROUND T2	1	SNA	A	
35	JC61-02415A	SPRING ETC-OPC L	1	SA	A	
36	JC61-02416A	SPRING ETC-ITB R	1	SA	A	

Drawer#	SEC_Code	Description	QT'y	Service	Grade	Remark
37	JC61-02417A	SPRING ETC-ITB L	1	SA	A	
40	JC61-02474A	GUIDE-DEVE	1	SNA	A	
41	JC61-40001A	FOOT-ML80	4	SA	A	
42	JC61-70940A	SPRING ETC-TR(12)	1	SA	A	
43	JC63-01592A	COVER-GROUND OPC	1	SNA	A	
45	JC64-00349A	BUTTON-SUPPORT	1	SNA	B	
56	JC63-01779A	SHEET-DEFLECTION	2	SNA	B	
58	JC92-01982A	PBA SUB-OPE	1	SA	A	
58	JC92-02064A	PBA SUB-OPE	1	SA	A	315W
59	JC92-02003A	PBA SUB-5V_SWITCH	1	SA	A	
60	JC96-04757A	ELA UNIT-PTL LAMP	1	SA	A	
62	JC96-04939A	ELA HOU-ITB_OPC	1	SNA	D	
63	JC97-01771A	MEA UNIT-TERMINAL S	2	SA	A	
64	JC97-02638A	MEA UNIT-TERMINAL GND	1	SA	A	
67	JC97-03028A	MEA UNIT-PICK UP ROLL	1	SA	A	
69	JC97-03030A	MEA UNIT-ACT REGI	1	SA	A	

7. Frame2



Frame2 Parts List

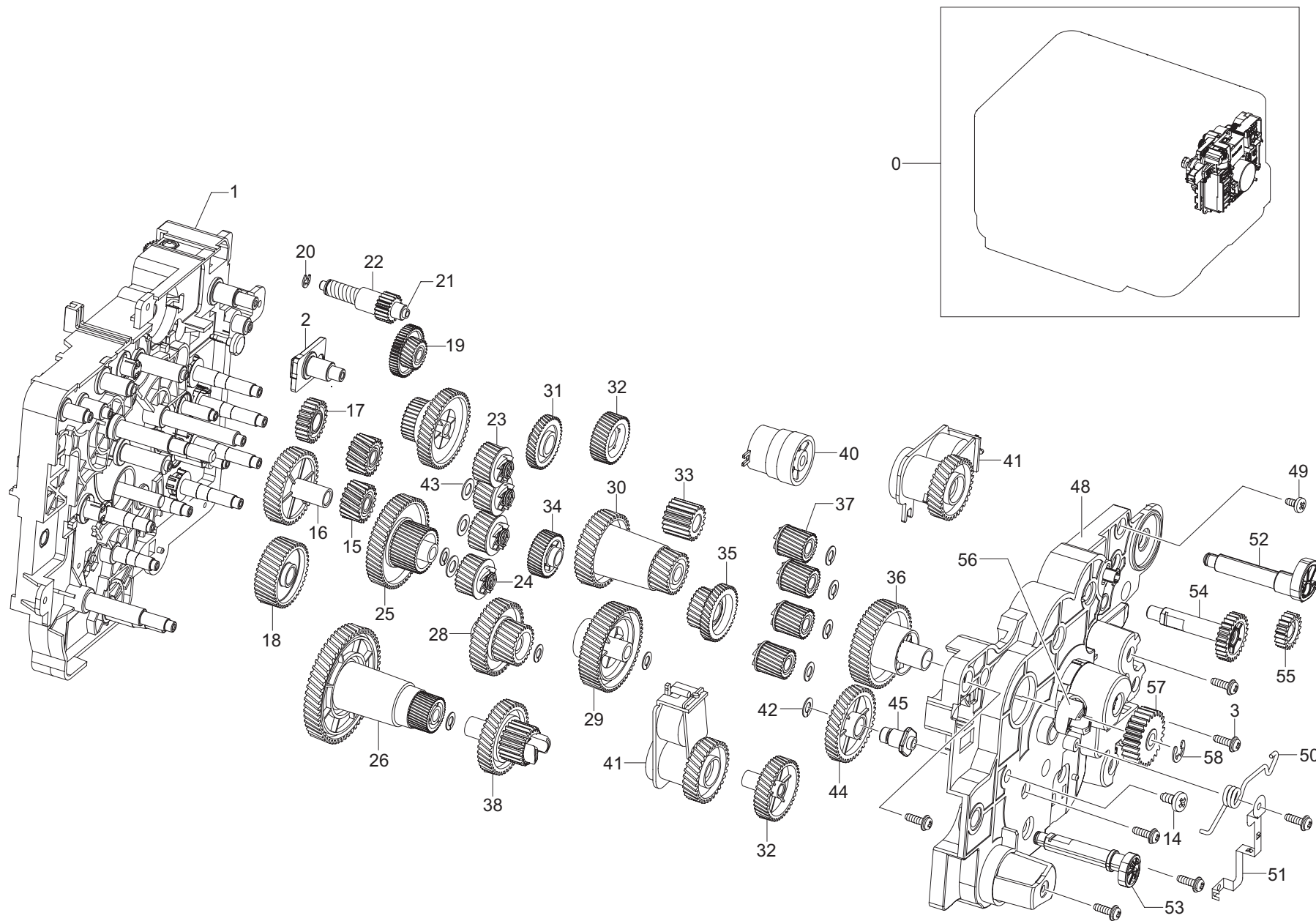
Ver. 1.00

SA : SERVICE AVAILABLE, SNA : SERVICE not AVAILABLE

Drawer#	SEC_Code	Description	QT'y	Service	Grade	Remark
0	JC97-03020A	MEA UNIT-FRAME	1	SA	B	
0	JC97-03478A	MEA UNIT-FRAME W	1	SA	B	315W
6	6003-000196	SCREW-TAPTITE	25	SA	A	
8	6031-001255	WASHER-PLAIN	1	SA	B	
9	6044-000001	RING-CS	3	SNA	B	
10	6044-000125	RING-E	2	SA	B	
11	6107-001309	SPRING-CS	2	SA	B	
13	6107-001409	SPRING-CS	2	SA	A	
14	6502-000132	CABLE CLAMP	2	SA	A	
24	JC47-00019A	CLUTCH-DEVE CAM	1	SNA	B	
25	JC47-00020A	CLUTCH-FUSER CAM	1	SNA	A	
27	JC61-02326A	FRAME-BASE MILLET	1	SNA	A	
28	JC61-02357A	GUIDE-RAIL R	1	SNA	A	
29	JC61-02359A	GUIDE-RAIL L	1	SNA	A	
31	JC61-02372A	BUSH-D6/L4	2	SA	B	
38	JC61-02425A	HOLDER-CLUTCH	1	SA	A	
39	JC61-02473A	PLATE-SWITCH	1	SNA	A	

Drawer#	SEC_Code	Description	QT'y	Service	Grade	Remark
44	JC63-01654A	SHIELD-SMPS	1	SNA	A	
46	JC64-00350A	SHUTTER-LSU	1	SNA	A	
47	JC64-00365A	LOCKER-ITB	2	SA	A	
48	JC66-00050A	CAM-CATCH	2	SA	A	
49	JC66-01120A	SHAFT-FEED IDLE	1	SNA	A	
50	JC66-01207A	SHAFT-M-CLUTCH FUSER	1	SA	B	
51	JC66-01721A	GEAR-REGI DRIVE	1	SA	B	
52	JC66-01722A	GEAR-REGI RELAY	1	SA	B	
53	JC66-01740A	LINK-LSU	2	SNA	A	
54	JC66-01777A	ROLLER-REGI	1	SNA	B	
55	JC67-00168A	BRUSH-LSU	1	SNA	A	
57	JC72-00102A	PMO-BUSHING_TR(L)	2	SA	A	
61	JC96-04756A	ELA UNIT-SENSOR WASTE	1	SA	A	
65	JC97-03024A	MEA UNIT-FRAME EXIT	1	SA	A	
66	JC97-03027A	MEA UNIT-PICK UP GEAR	1	SA	A	
68	JC97-03029A	MEA UNIT-GUIDE PICKUP	1	SA	A	

8. Main Drive1



Main Drive1 Parts List

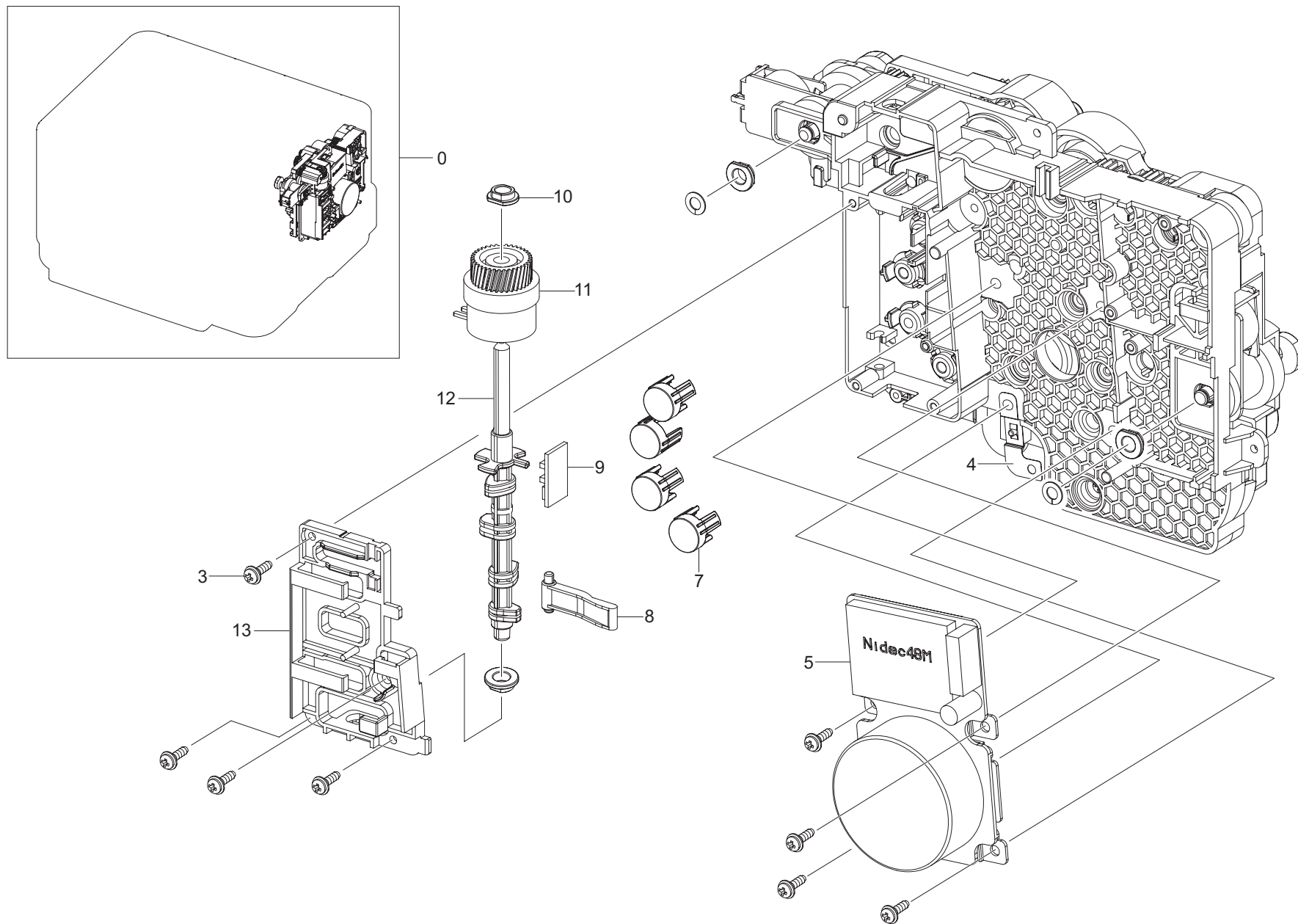
Ver. 1.00

SA : SERVICE AVAILABLE, SNA : SERVICE not AVAILABLE

Drawer#	SEC_Code	Description	QT'y	Service	Grade	Remark
0	JC96-04750A	ELA UNIT-DRIVE MAIN	1	SA	B	
1	JC61-02273A	BRACKET-DRIVE MAIN	1	SNA	B	
2	JC61-02279A	BRACKET-STUD	1	SNA	B	
3	6002-000440	SCREW-TAPPING	21	SA	B	
14	6003-000301	SCREW-TAPTITE	1	SNA	B	
15	JC66-01042A	GEAR-IDLE DEVE Z19	2	SA	B	
16	JC66-01716A	GEAR-IDLE Z39	1	SNA	B	
17	JC66-01707A	GEAR-EXIT IDLE	1	SNA	B	
18	JC66-01714A	GEAR-IDLE ITB Z57	1	SNA	B	
19	JC66-01697A	GEAR-RDCN DEVE CAM	1	SNA	B	
20	6044-000159	RING-C	1	SA	D	
21	JC66-01060A	SHAFT-WORM GEAR	1	SNA	B	
22	JC66-01057A	GEAR-WORM DEVE CAM	1	SA	B	
23	JC66-01705A	GEAR-DEVE COUPLING	4	SNA	B	
24	6107-001362	SPRING-CS	4	SA	B	
25	JC66-01848A	GEAR-RDCN OPC	1	SNA	B	
26	JC66-01693A	GEAR-ITB DRIVE	1	SNA	B	
27	JC66-01728A	GEAR-RDCN EXIT	1	SNA	B	
28	JC66-01727A	GEAR-RDCN P_PARH	1	SNA	B	
29	JC66-01725A	GEAR-RDCN DEVE	1	SNA	B	
30	JC66-01698A	GEAR-OPC DRIVE	1	SNA	B	
31	JC66-01704A	GEAR-DEVE CLUTCH Z27	1	SNA	B	
32	JC66-01710A	GEAR-IDLE CLUTCH CAM	1	SNA	B	
33	JC66-01708A	GEAR-EXIT RELAY	1	SNA	B	

Drawer#	SEC_Code	Description	QT'y	Service	Grade	Remark
34	JC66-01711A	GEAR-IDLE FUSER CAM	1	SNA	B	
35	JC66-01729A	GEAR-RDCN FUSER CAM	1	SNA	B	
36	JC66-01709A	GEAR-FUSER DRIVE	1	SNA	B	
37	JC66-01706A	GEAR-DEVE DRIVE	4	SNA	B	
38	JC66-01718A	GEAR-PICK UP DRIVE	1	SNA	B	
39	JC66-01715A	GEAR-IDLE Z32	1	SNA	B	
40	JC47-00022A	CLUTCH-FUSER CAM	1	SA	A	
41	JC47-00007F	CLUTCH-ITB CAM	2	SA	A	
42	6031-001490	WASHER-PLAIN	13	SNA	B	
43	6031-001255	WASHER-PLAIN	4	SA	B	
44	JC66-01717A	GEAR-IDLE Z39 F	1	SNA	B	
45	JC66-01061A	SHAFT-IDLE D8	1	SNA	B	
48	JC61-02243A	BRACKET-DRIVE FRONT	1	SNA	B	
49	6001-000130	SCREW-MACHINE	3	SA	B	
50	JC61-02419A	SPRING ETC-GROUND OPC	1	SA	B	
51	JC61-02373A	PLATE-GROUND OPC	1	SNA	B	
52	JC66-01724A	SHAFT-ITB CLEAN CAM	1	SNA	B	
53	JC66-01723A	SHAFT-T2 CAM	1	SNA	B	
54	JC66-01713A	GEAR-ITB TENSION CAM	1	SNA	B	
55	JC66-01712A	GEAR-IDLE ITB TENSION	1	SNA	B	
56	JC66-01070A	LATCH-M-HUB CLUTCH	1	SNA	A	
57	JC66-01155A	GEAR-FUSER RDCN OUT V	1	SNA	A	
58	6044-000231	RING-E	2	SA	A	

9. Main Drive2



Main Drive2 Parts List

Ver. 1.00

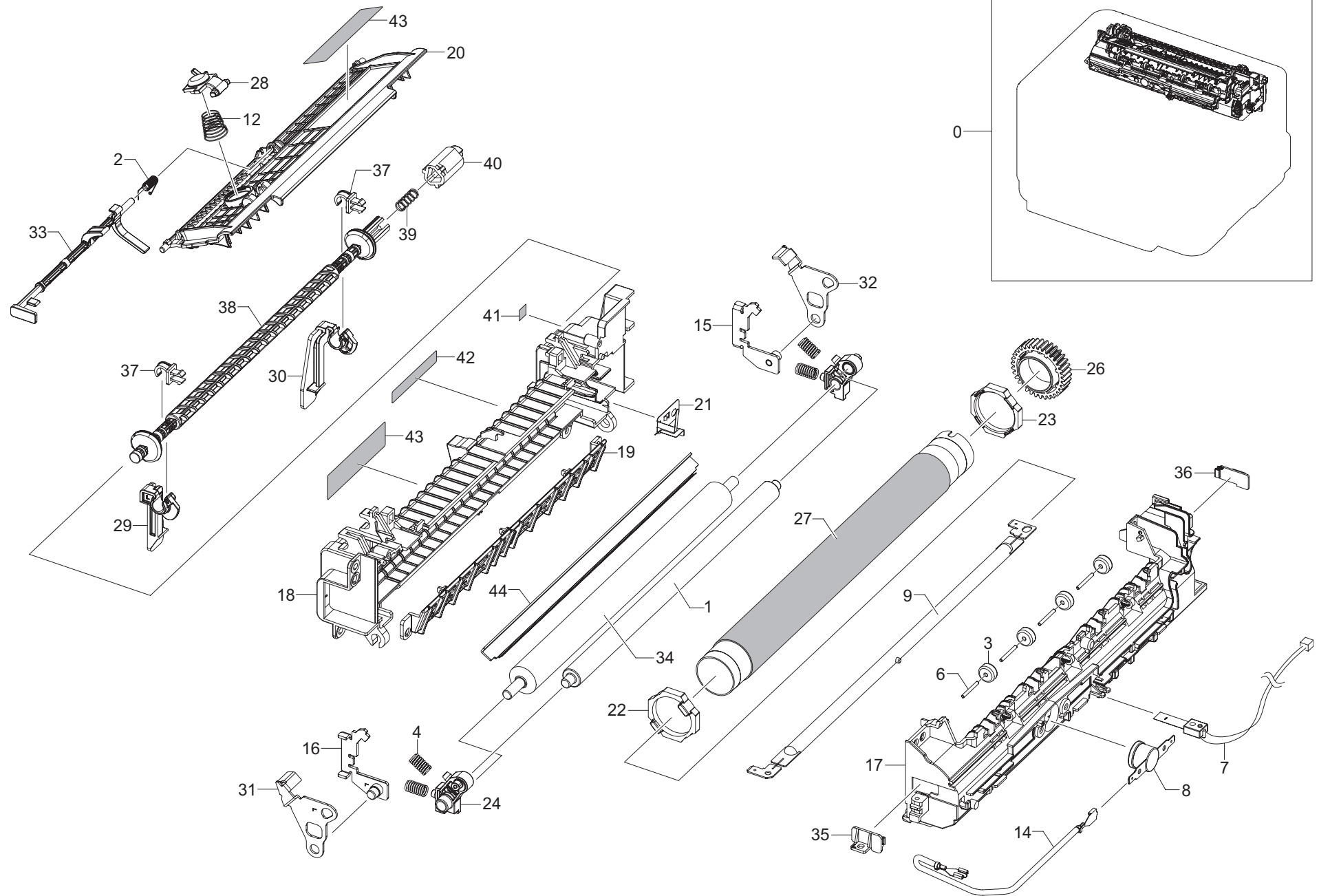
SA : SERVICE AVAILABLE, SNA : SERVICE not AVAILABLE

Drawer#	SEC_Code	Description	QT'y	Service	Grade	Remark
0	JC96-04750A	ELA UNIT-DRIVE MAIN	1	SA	B	
4	JC61-02374A	PLATE-GROUND MOTOR	1	SNA	B	
5	JC31-00091A	MOTOR BLDC	1	SA	A	
6	6003-000301	SCREW-TAPTITE	1	SNA	B	
7	JC67-00278A	CAP-PUSH COUPLING	4	SNA	B	
8	JC66-01726A	LINK-PUSH BLACK CAP	1	SNA	B	

Drawer#	SEC_Code	Description	QT'y	Service	Grade	Remark
9	JC92-01986A	PBA SUB-DEVEHOME	1	SNA	A	
10	JC61-02372A	BUSH-D6/L4	4	SA	B	
11	JC47-00019A	CLUTCH-DEVE CAM	1	SNA	B	
12	JC66-01720A	SHAFT-DEVE CAM	1	SNA	B	
13	JC61-02292A	HOLDER-DEVE CAM	1	SNA	B	

10. Fuser Unit

Ver. 1.00



Fuser Unit Parts List

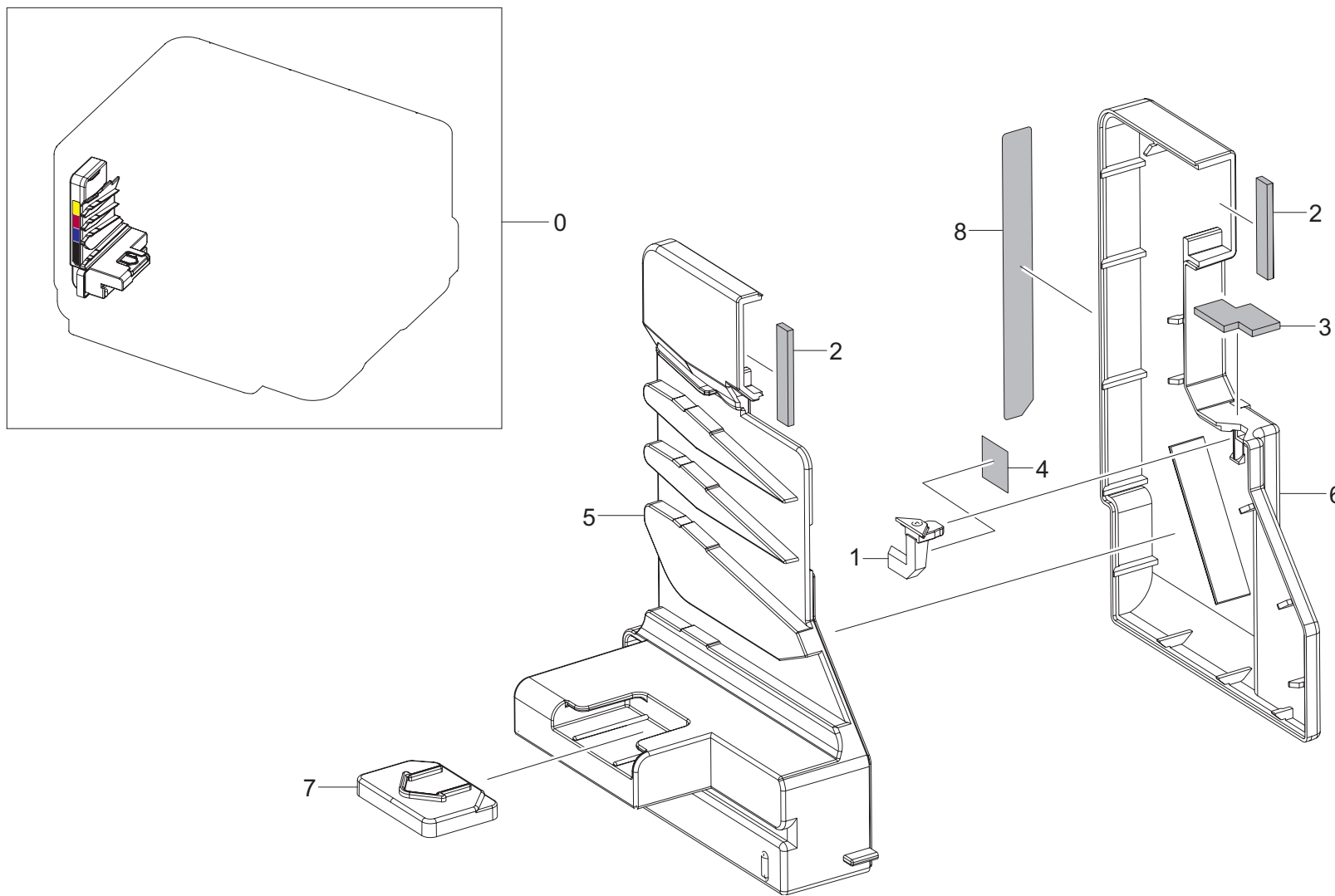
Ver. 1.00

SA : SERVICE AVAILABLE, SNA : SERVICE not AVAILABLE

Drawer#	SEC_Code	Description	QT'y	Service	Grade	Remark
0	JC96-05491B	ELA UNIT-FUSER	1	SA	A	220V
0	JC96-05492B	ELA UNIT-FUSER	1	SA	A	110V
1	JC66-01804A	ROLLER-PRESSURE SHAFT	1	SNA	A	
2	6107-001507	SPRING ETC-ACTUATOR	1	SNA	B	
3	JC66-01813A	ROLLER-IDLE	4	SNA	B	
4	6107-001397	SPRING CS	4	SA	B	
6	JC70-20901A	SHAFT-ROLLER IDLE	4	SNA	C	
7	1404-001141	THERMISTOR-NTC	1	SNA	A	
8	4712-001031	THERMOSTAT	1	SA	A	
9	4713-001243	LAMP-HALOGEN	1	SA	B	220V
9	4713-001242	LAMP-HALOGEN	1	SA	B	110V
10	6003-000196	SCREW-TAPTITE	28	SA	A	
11	6003-000261	SCREW-TAPTITE	3	SNA	D	
12	6107-001169	SPRING-CS	1	SA	D	
13	JC39-00501A	CBF HARNESS-FUSE_LINK1	1	SA	A	
15	JC61-02287A	HOLDER-BUSH R	1	SNA	B	
16	JC61-02290A	HOLDER-BUSH L	1	SNA	B	
17	JC61-03208A	FRAME-UPPER FUSER	1	SNA	B	
18	JC61-02322A	FRAME-LOWER FUSER	1	SNA	B	
19	JC61-02361A	GUIDE-INPUT FUSER	1	SNA	B	
20	JC61-02364A	GUIDE-OUTPUT FUSER	1	SNA	B	
21	JC61-02371A	PLATE-GROUND FUSER	1	SNA	B	
22	JC61-02392A	BUSH-HR L	1	SNA	B	

Drawer#	SEC_Code	Description	QT'y	Service	Grade	Remark
23	JC61-02393A	BUSH-HR R	1	SNA	B	
24	JC61-02408A	BUSH-2PR R	1	SNA	B	
25	JC61-02409A	BUSH-2PR L	1	SNA	B	
26	JC66-00669A	GEAR-FUSER	1	SA	B	
27	JC66-01078A	ROLLER-HEAT	1	SA	B	
28	JC66-01695A	LEVER-COVER OPEN	1	SNA	B	
29	JC66-01700A	LEVER-JAM L	1	SNA	B	
30	JC66-01701A	LEVER-JAM R	1	SNA	B	
31	JC66-01738A	LEVER-RELEASE L	1	SNA	B	
32	JC66-01742A	LEVER-RELEASE R	1	SNA	B	
33	JC66-01775A	ACTUATOR-EXIT FUSER	1	SNA	B	
34	JC66-01780A	ROLLER-PRESSURE	1	SA	A	
35	JC67-00280A	CAP-FUSER L	1	SNA	B	
36	JC67-00281A	CAP-FUSER R	1	SNA	B	
37	JC61-02411A	BUSH-TX	2	SNA	B	
38	JC66-01737A	SHAFT-CAM FUSER	1	SNA	B	
39	6107-001290	SPRING-CS	1	SA	B	
40	JC61-01647A	HOLDER-M-SHAFT FUSER	1	SNA	A	
41	JC68-00407A	LABEL(R)-HV FUSER	1	SNA	-	
42	JC68-01134A	LABEL(P)-BLANK(FUSER)	1	SNA	-	
43	JC68-01581C	LABEL(P)-CAUTION	2	SNA	-	
44	JC97-03034A	MEA-GUIDE PR	1	SNA	A	

11. Tank Waste Unit



Tank Waste Unit Parts List

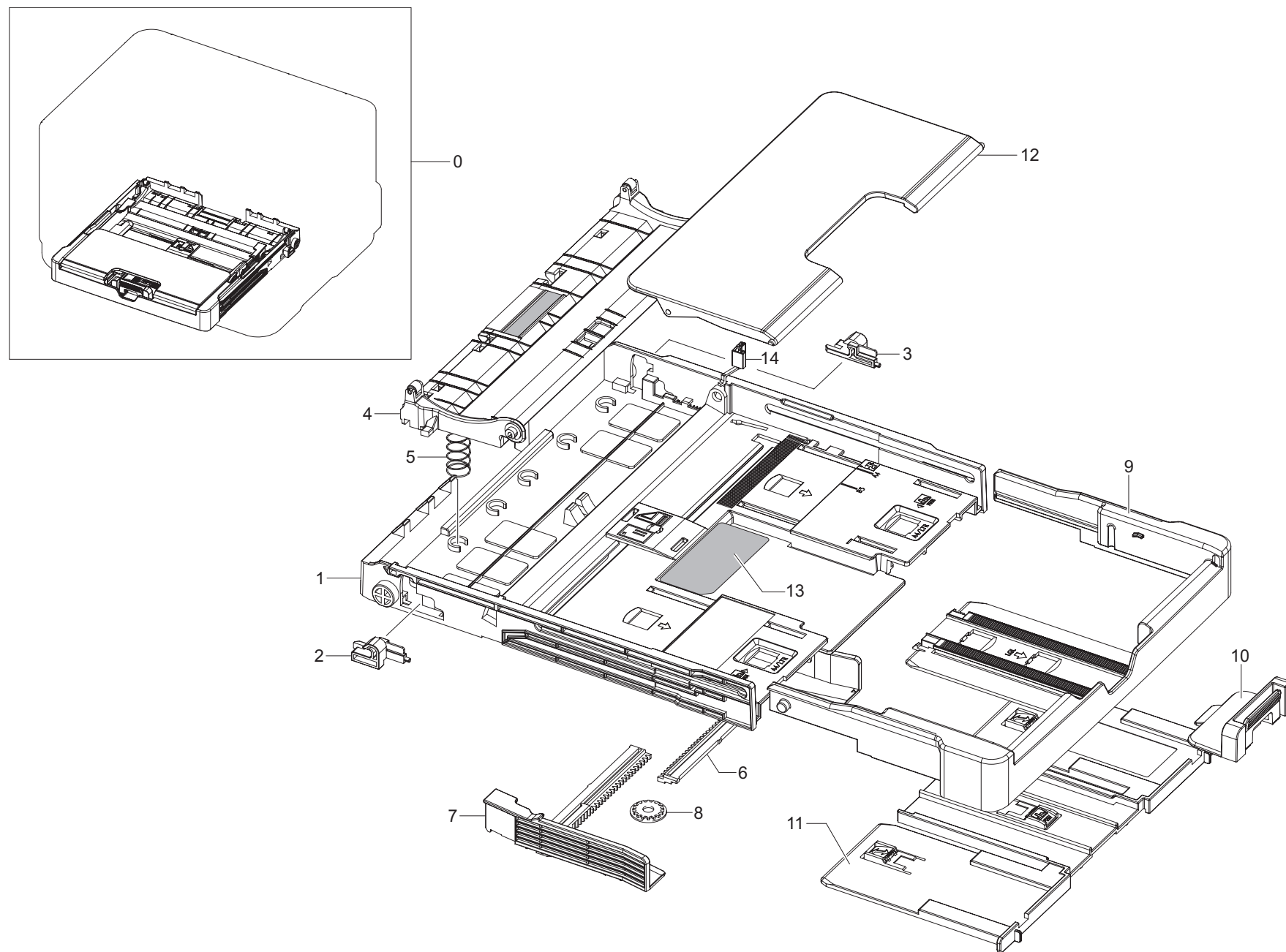
Ver. 1.00

SA : SERVICE AVAILABLE, SNA : SERVICE not AVAILABLE

Drawer#	SEC_Code	Description	QT'y	Service	Grade	Remark
0	JC97-03021A	MEA UNIT-TANK WASTE	1	SA	B	
1	JC61-02366A	GUIDE-WASTE	1	SNA	B	
2	JC62-00429A	SEAL-WASTE SIDE	2	SNA	A	
3	JC62-00430A	SEAL-WASTE SENSOR	1	SNA	A	
4	JC63-01672A	SHEET-WASTE	1	SNA	A	

Drawer#	SEC_Code	Description	QT'y	Service	Grade	Remark
5	JC67-00268A	TANK-WASTE UPPER	1	SNA	B	
6	JC67-00269A	TANK-WASTE LOWER	1	SNA	B	
7	JC67-00279A	CAP-WASTE BOTTLE	1	SNA	A	
8	JC68-01995A	LABEL-INFORMATION	1	SNA	A	

12. Cassette



Cassette Parts List

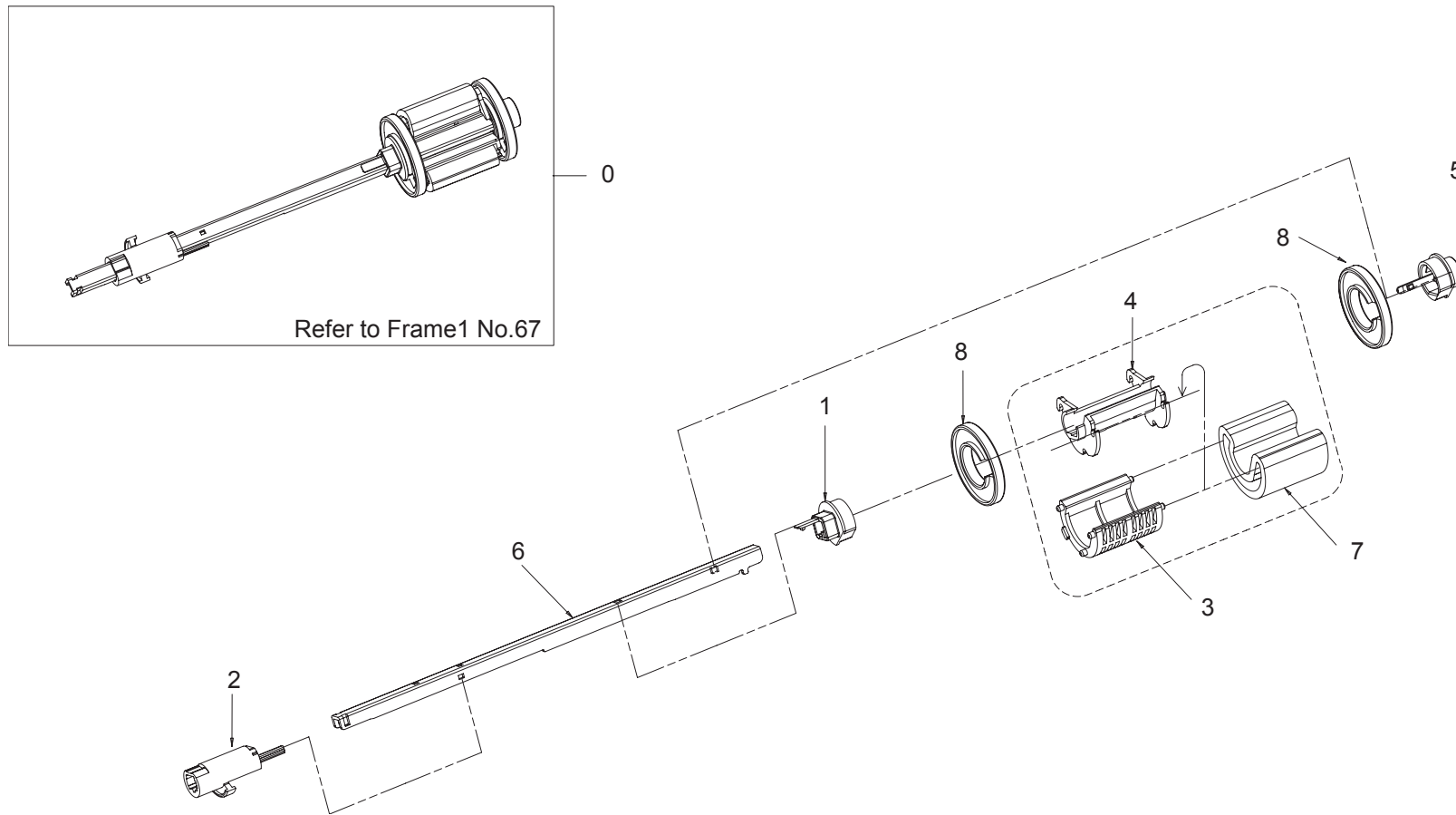
Ver. 1.00

SA : SERVICE AVAILABLE, SNA : SERVICE not AVAILABLE

Drawer#	SEC_Code	Description	QT'y	Service	Grade	Remark
5.12-0	JC97-03036A	MEA UNIT-CASSETTE,Black	1	SA	A	315/315W, XAA
5.12-0	JC97-03036B	MEA UNIT-CASSETTE,Gray	1	SA	A	XEV,XAA
5.12-0	JC97-03036G	MEA UNIT-CASSETTE,Black	1	SA	A	315W/SEE
5.12-0	JC97-03036H	MEA UNIT-CASSETTE,Gray	1	SA	A	310N/SEE
5.12-1	JC61-02327A	FRAME-SEMI CASSETTE	1	SNA	B	315
5.12-1	JC61-02327B	FRAME-SEMI CASSETTE	1	SNA	B	310/310N
5.12-2	JC64-00222A	LOCKER-M-KNOCK UP R	1	SA	B	
5.12-3	JC64-00223A	LOCKER-M-KNOCK UP L	1	SA	B	
5.12-4	JC97-03040A	MEA UNIT-PLATE K_UP	1	SA	A	315
5.12-4	JC97-03040B	MEA UNIT-PLATE K_UP	1	SA	A	310/310N
5.12-5	6107-001240	SPRING-CS	2	SNA	B	

Drawer#	SEC_Code	Description	QT'y	Service	Grade	Remark
5.12-6	JC70-00516A	ADJUST-M-CASSETTE R	1	SA	A	
5.12-7	JC70-00517A	ADJUST-M-CASSETTE L	1	SA	A	
5.12-8	JG66-40003A	GEAR-PINION	1	SA	A	
5.12-9	JC63-00869C	TRAY-EXTENSION SMALL	1	SNA	A	315
5.12-9	JC63-00869D	TRAY-EXTENSION SMALL	1	SNA	A	310/310N
5.12-10	JC61-01531A	STOPPER-M-PAPER REAR	1	SNA	A	
5.12-11	JC63-00872A	TRAY-M-EXT CASSETTE	1	SNA	A	
5.12-12	JC63-01668A	COVER-CST	1	SA	B	
5.12-13	JF68-10532B	LABEL(P)-BAR CODE	1	SNA	-	
5.12-14	JC61-02484A	STOPPER-ADJUSTER	1	SA	A	

13. Frame Sub Unit 1 (MEA UNIT-PICK UP ROLL)



Frame Sub Unit 1 (MEA UNIT-PICK UP ROLL) Parts List

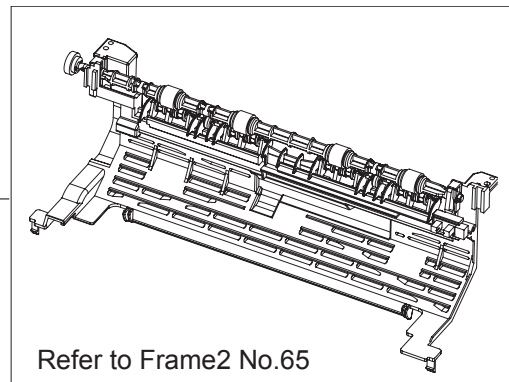
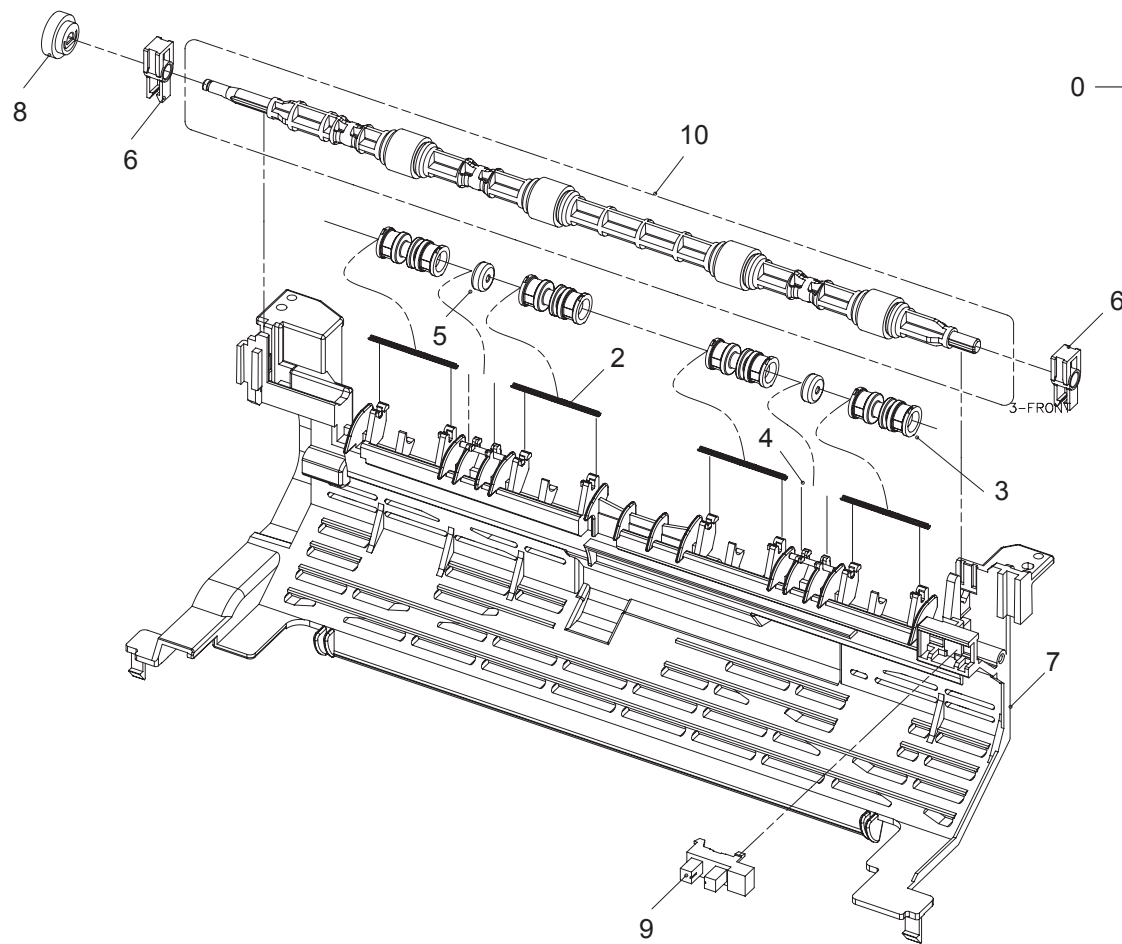
Ver. 1.00

SA : SERVICE AVAILABLE, SNA : SERVICE not AVAILABLE

Drawer#	SEC_Code	Description	QT'y	Service	Grade	Remark
0	JC97-03028A	MEA UNIT-PICK UP ROLL	1	SA	A	
1	JC61-01714A	STOPPER-PICK_UP L	1	SA	B	
2	JC61-02251A	HOLDER-SHAFT PICKUP R	1	SNA	B	
3	JC61-02397A	HOUSING-PICKUP A	1	SA	B	
4	JC61-02389A	HOUSING-PICKUP B	1	SA	B	

Drawer#	SEC_Code	Description	QT'y	Service	Grade	Remark
5	JC61-02407A	HOLDER-SHAFT PICKUP L	1	SNA	B	
6	JC66-01788A	SHAFT-PICKUP	1	SNA	B	
7	JC73-00309A	RUBBER-PICK_UP	1	SA	B	
8	JC66-01253A	ROLLER-PICK_UP IDLE	2	SA	B	

14. Frame Sub Unit 2 (MEA UNIT-FRAME EXIT)



Frame Sub Unit 2 (MEA UNIT-FRAME EXIT) Parts List

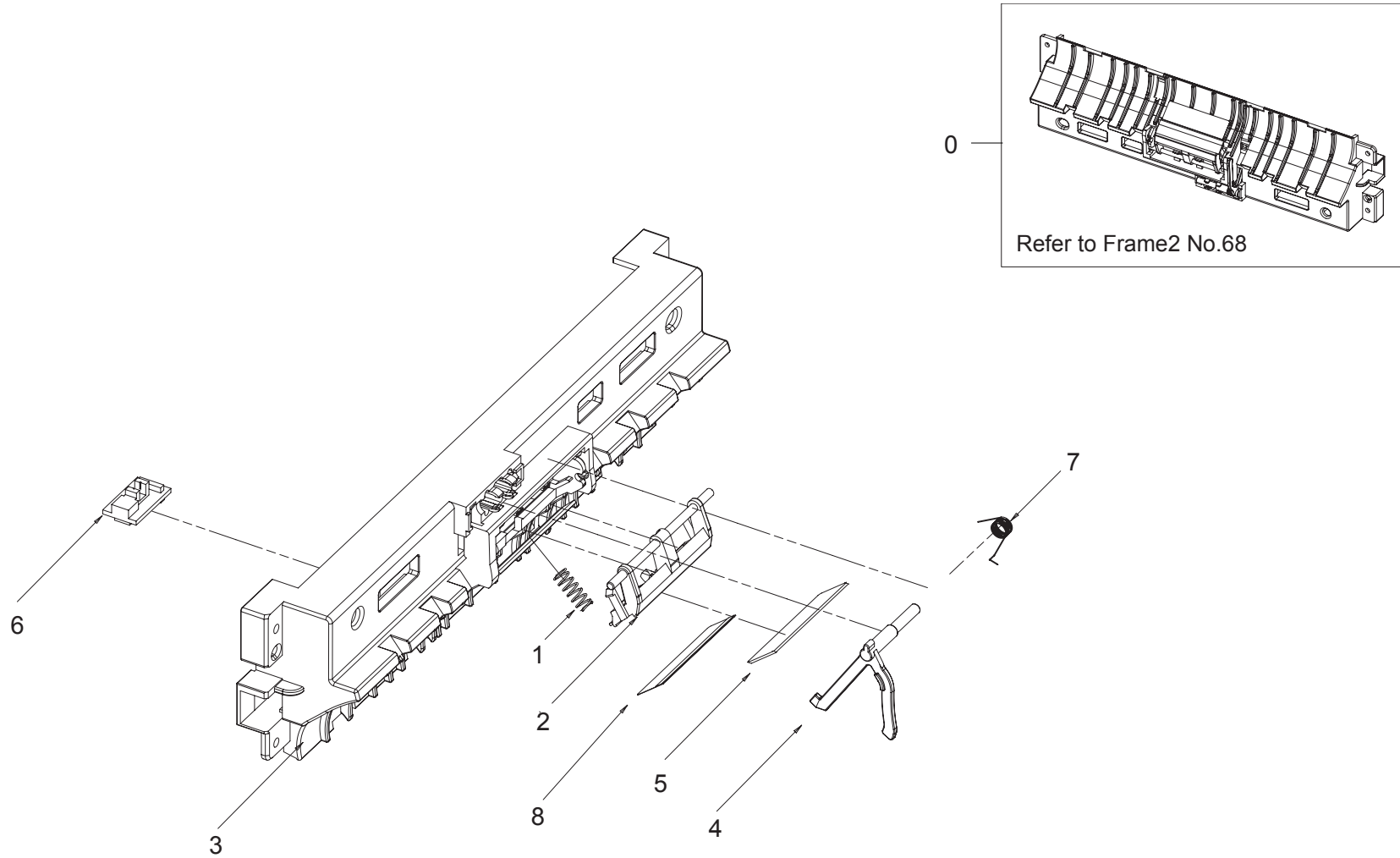
Ver. 1.00

SA : SERVICE AVAILABLE, SNA : SERVICE not AVAILABLE

Drawer#	SEC_Code	Description	QT'y	Service	Grade	Remark
0	JC97-03024A	MEA UNIT-FRAME EXIT	1	SA	A	
2	JC61-02423A	SPRING ETC-EXIT	4	SA	B	
3	JC66-01838A	ROLLER-EXIT MAIN	4	SNA	B	
4	JC70-20901A	IEX-SHAFT IDLE,F/UP	2	SA	B	
5	JC66-01813A	ROLLER-IDLE	2	SNA	B	
6	JC61-00845A	BUSH-M-EXIT	2	SA	B	

Drawer#	SEC_Code	Description	QT'y	Service	Grade	Remark
7	JC61-02328A	FRAME-EXIT	1	SNA	B	
8	JC66-00810A	GEAR-EXIT_DRV17	1	SA	B	
9	0604-001393	PHOTO-INTERRUPTER	1	SNA	B	
10	JC97-03025A	MEA UNIT-ROLLER EXIT	1	SA	B	
-	JC39-00916A	HARNESS-EXIT	1	SNA	B	

15. Frame Sub Unit 3 (MEA UNIT-GUIDE PICK UP)



Frame Sub Unit 3 (MEA UNIT-GUIDE PICK UP) Parts List

Ver. 1.00

SA : SERVICE AVAILABLE, SNA : SERVICE not AVAILABLE

Drawer#	SEC_Code	Description	QT'y	Service	Grade	Remark
0	JC97-03029A	MEA UNIT-GUIDE PICKUP	1	SA	A	
1	6107-001386	SPRING-CS	1	SA	B	
2	JC61-02288A	HOLDER-PAD	1	SNA	B	
3	JC61-02360A	GUIDE-PICKUP	1	SNA	B	
4	JC66-01787A	ACTUATOR-EMPTY	1	SNA	B	

Drawer#	SEC_Code	Description	QT'y	Service	Grade	Remark
5	JC73-00140A	RPR-FRICTION PAD	1	SA	B	
6	JC92-01984A	PBA SUB-EMPTY	1	SA	B	
7	JB61-00076A	SPRING ETC-TORSION DOC (CC2-F)	1	SA	B	
8	JC63-01745A	SHEET-HOLDER_PAD	1	SNA	B	