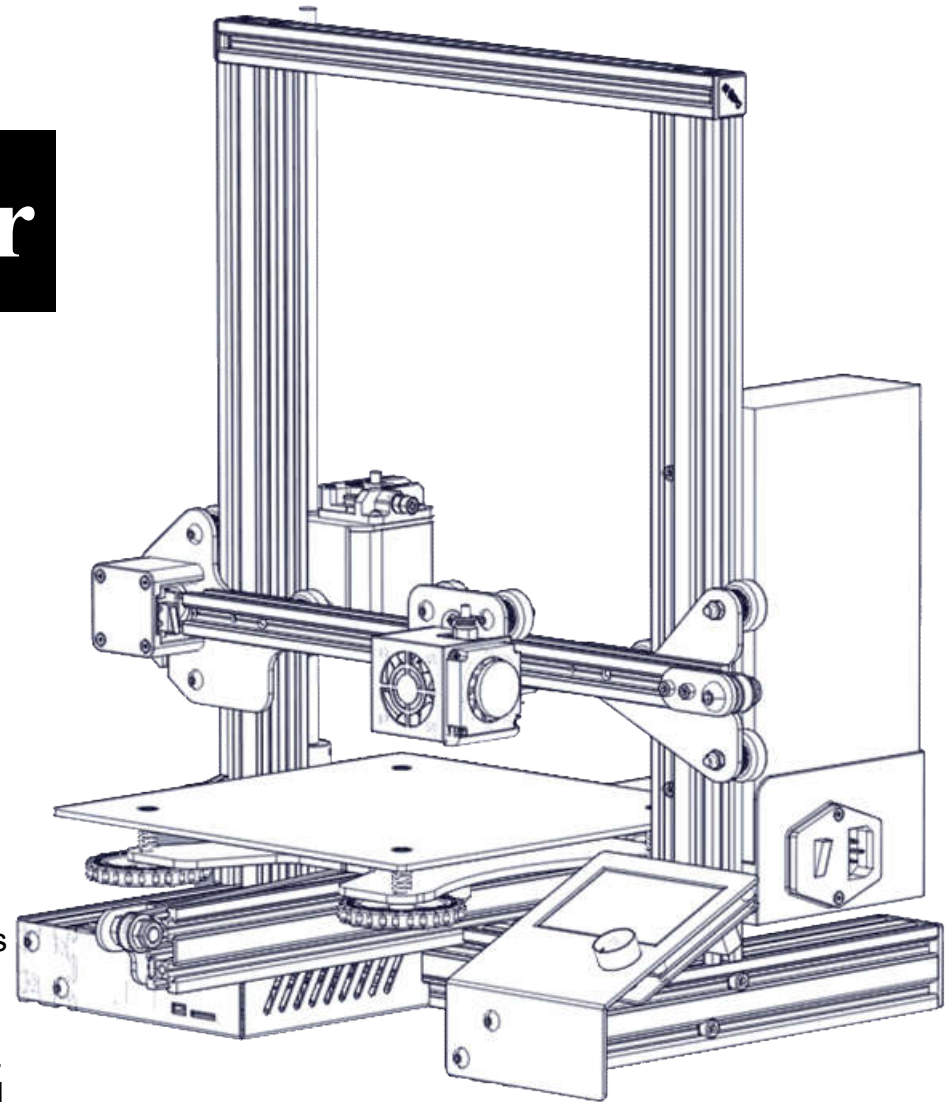




Ender 3 3D Printer

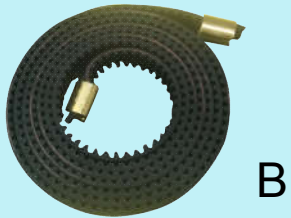
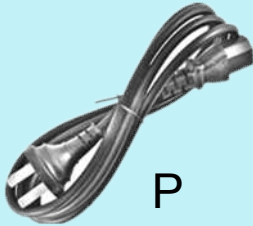
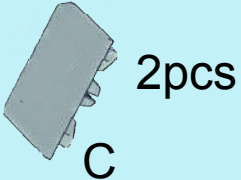
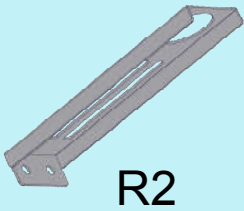
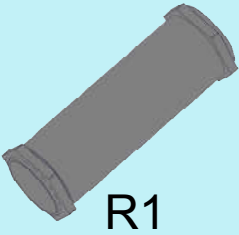
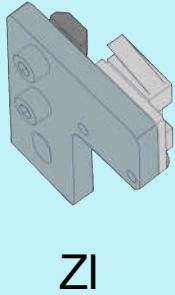
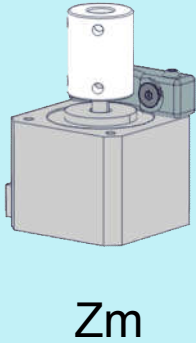
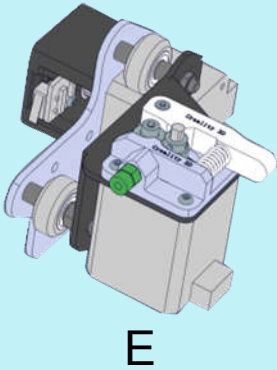
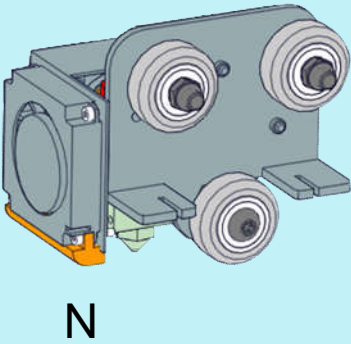
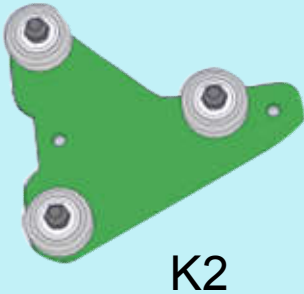
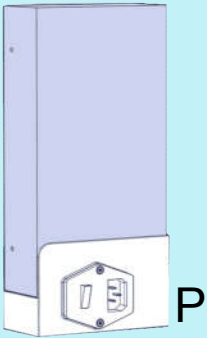
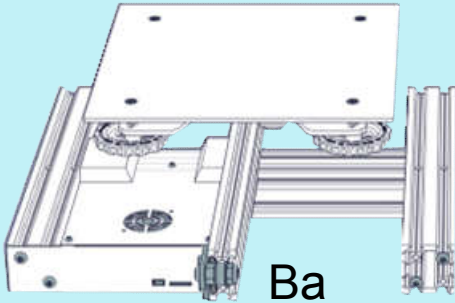
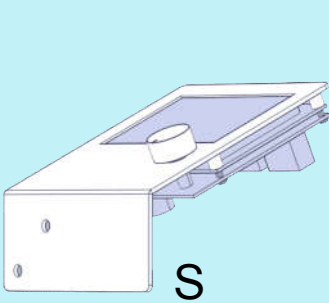
Instructions for assembly

- ◆ This guide is for the Ender 3 3D printer.
- ◆ Select the correct input voltage to match your local mains (220V or 110V)
- ◆ Because of software/hardware upgrades and model differences, new revisions may not be listed in this guide.
- ◆ Detailed instructions for use are available on the SD card.

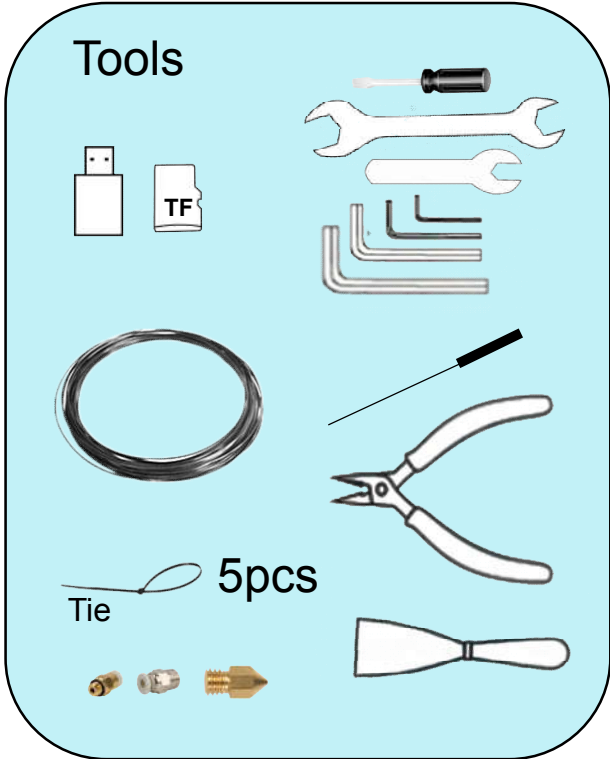
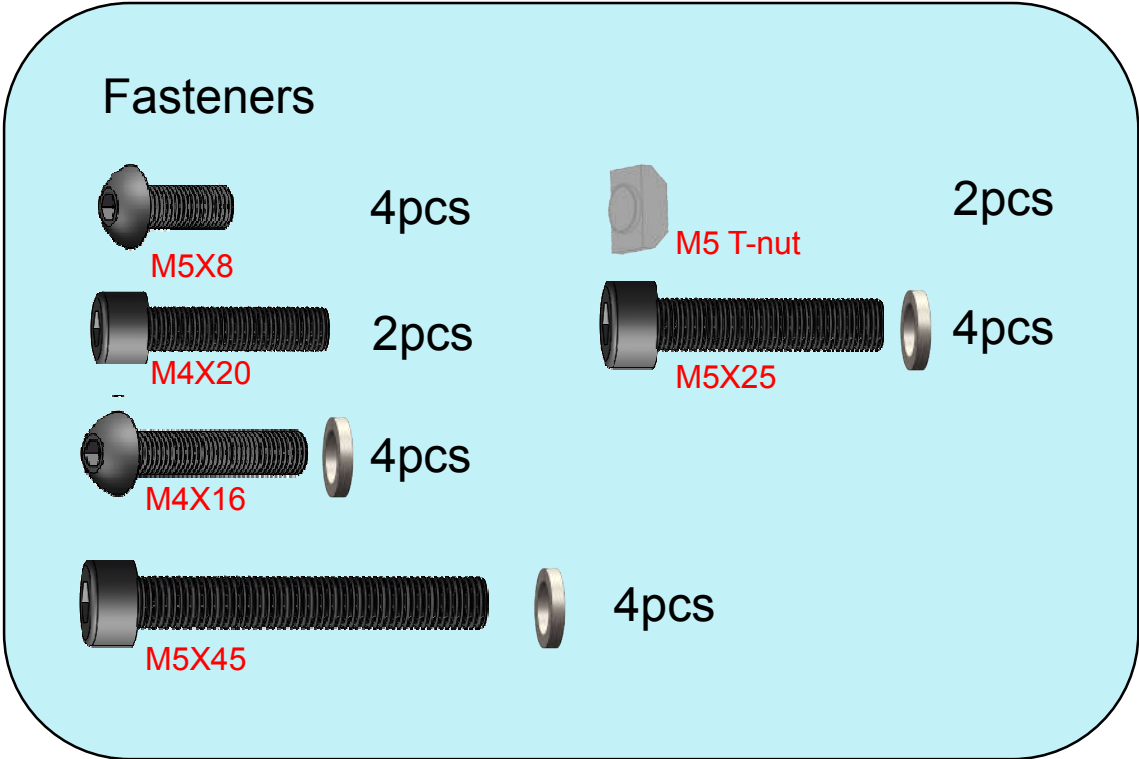
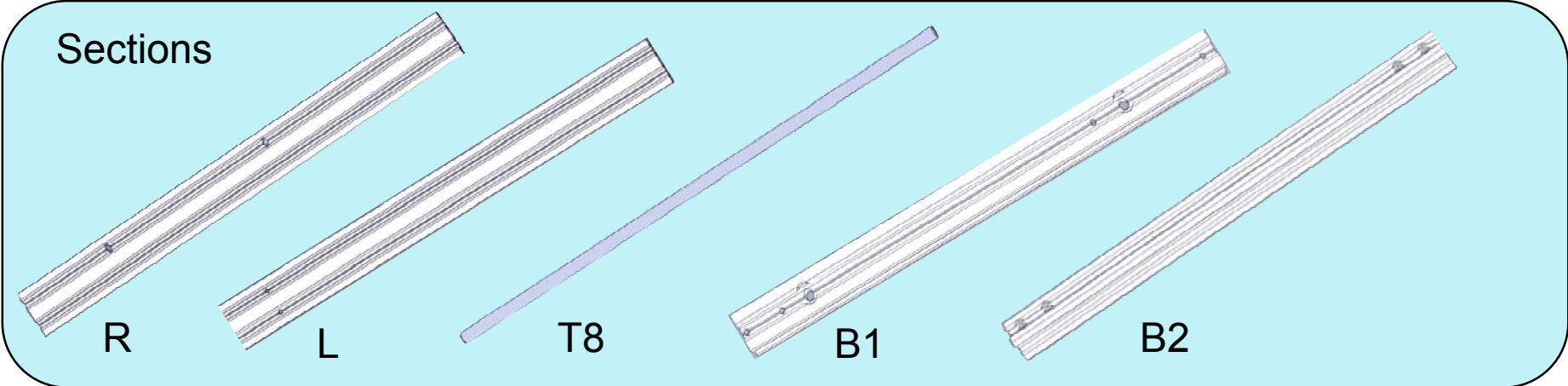


List 1

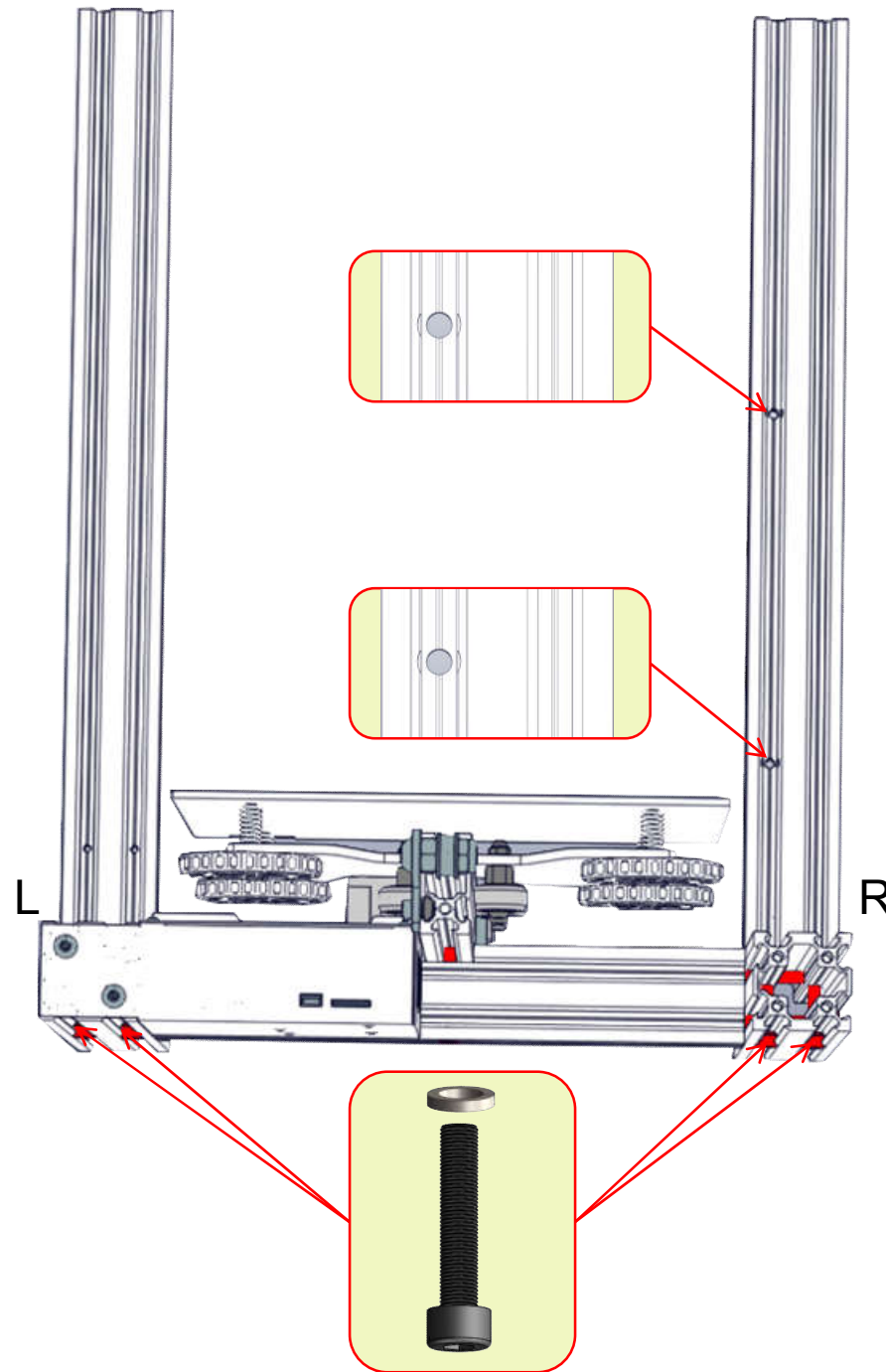
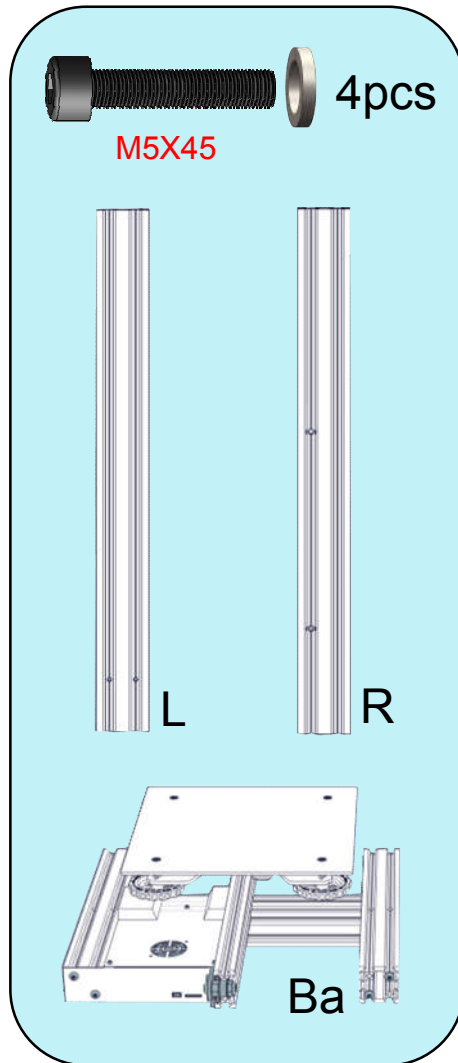
Assemblies



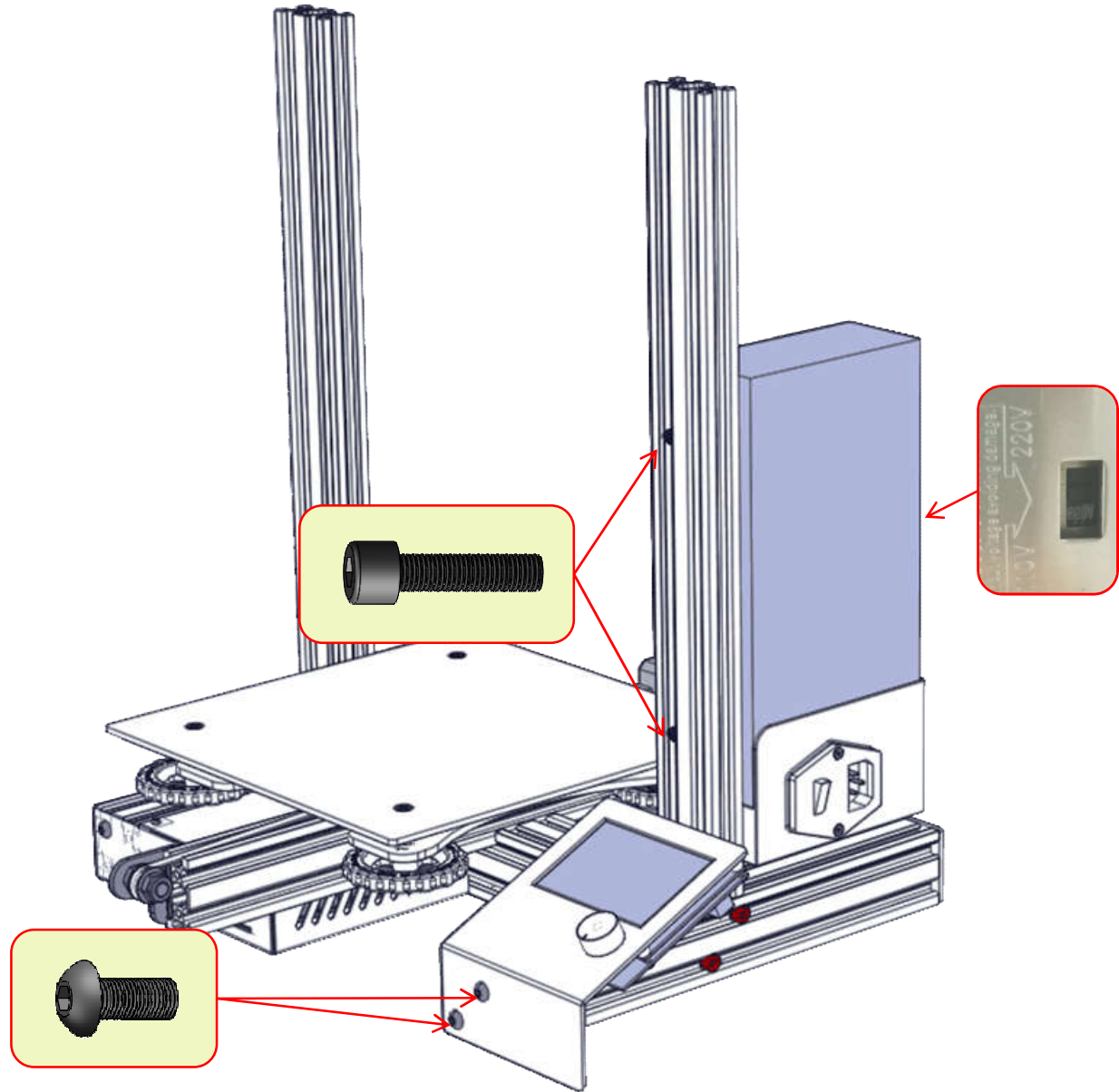
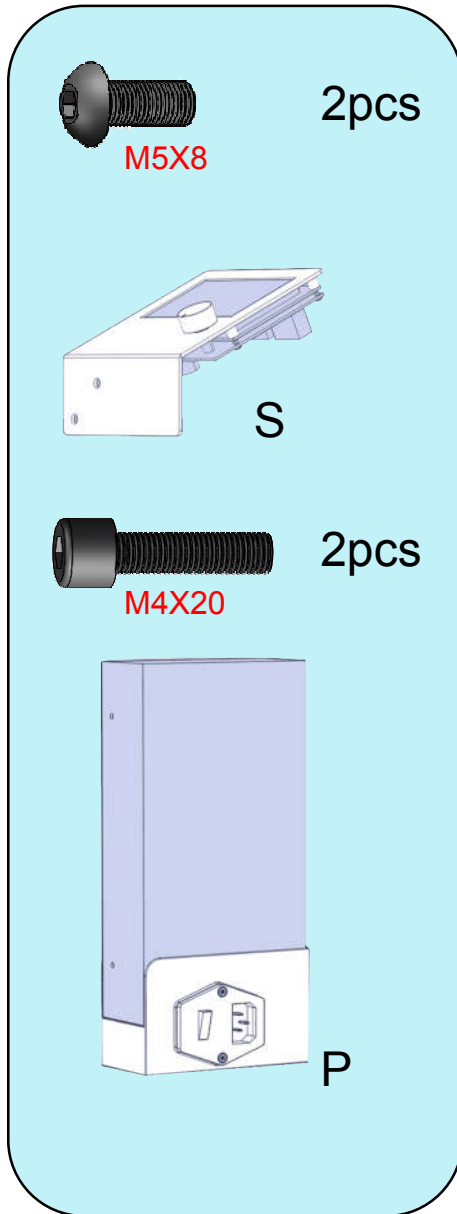
List 2



Step 1

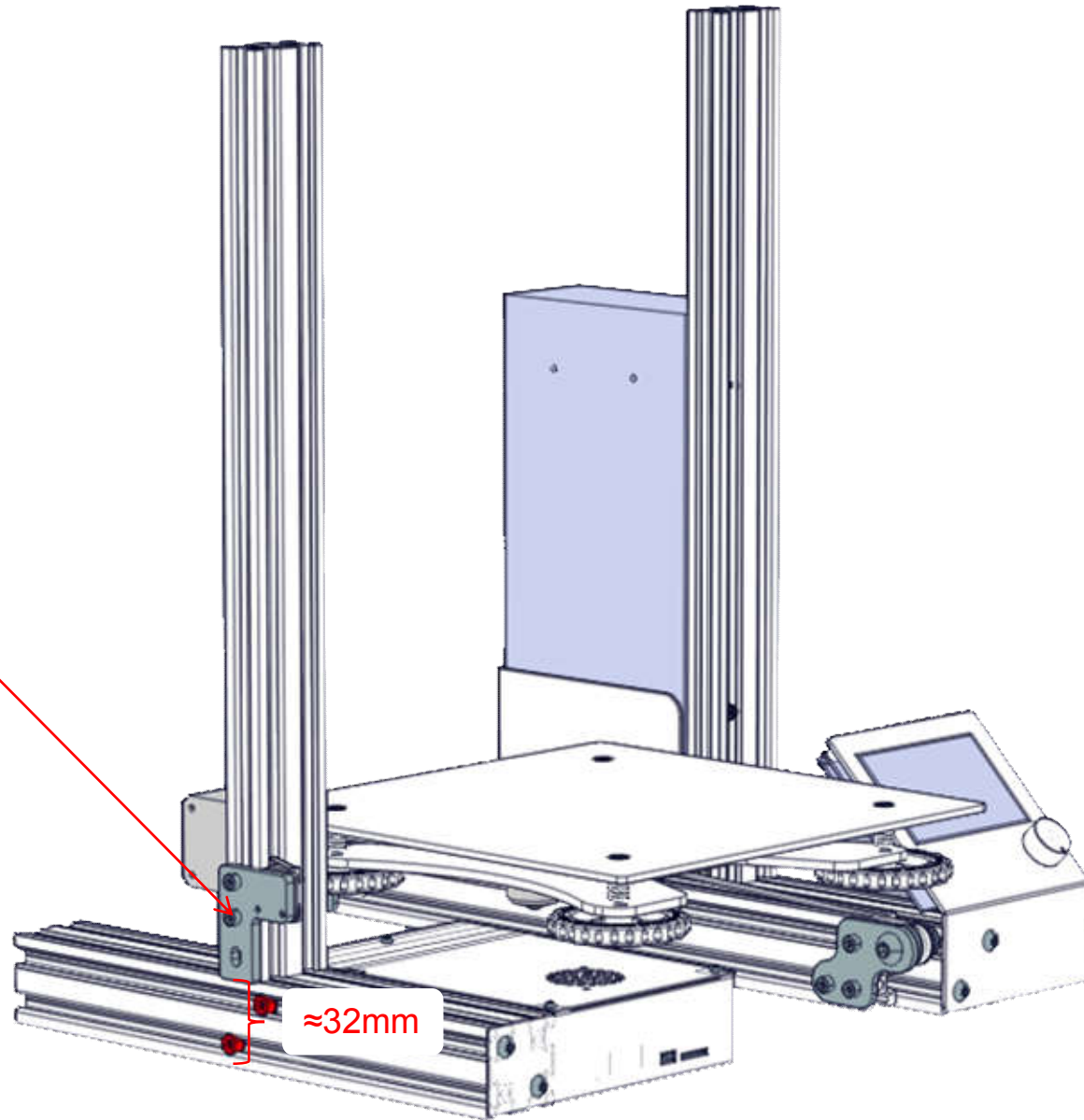
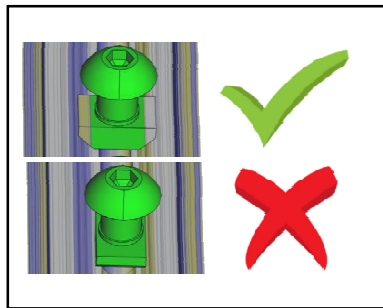
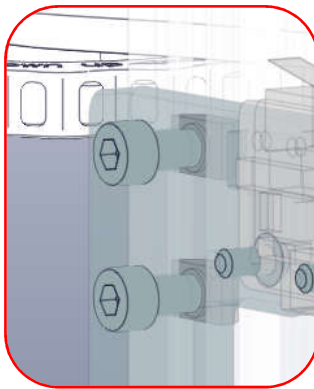
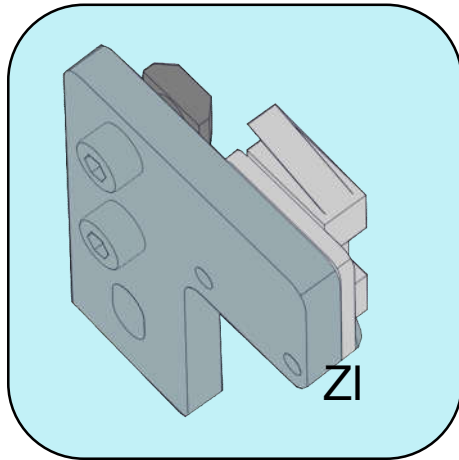


Step 2

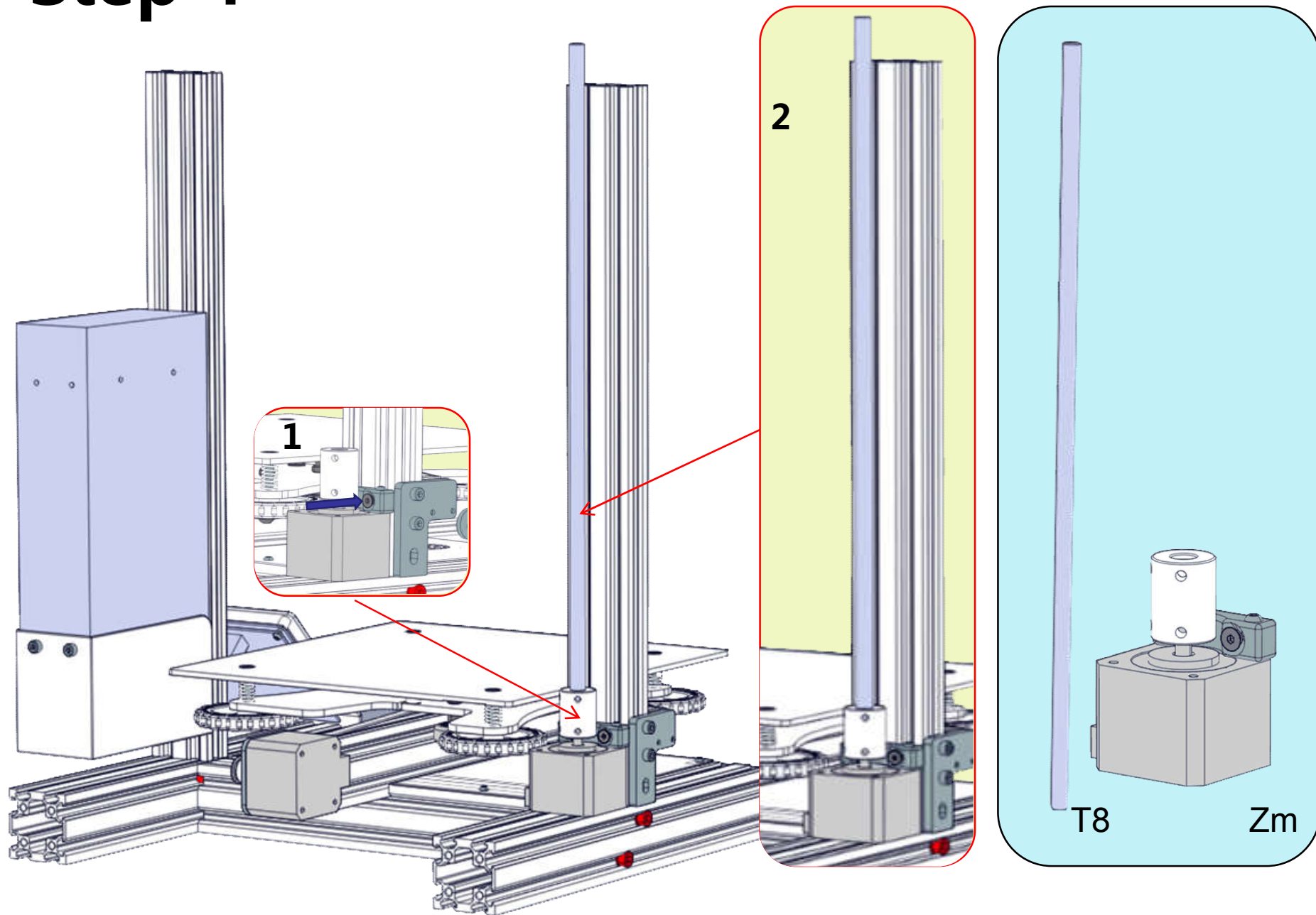


*Select the correct input voltage to match your local mains (220V or 110V).

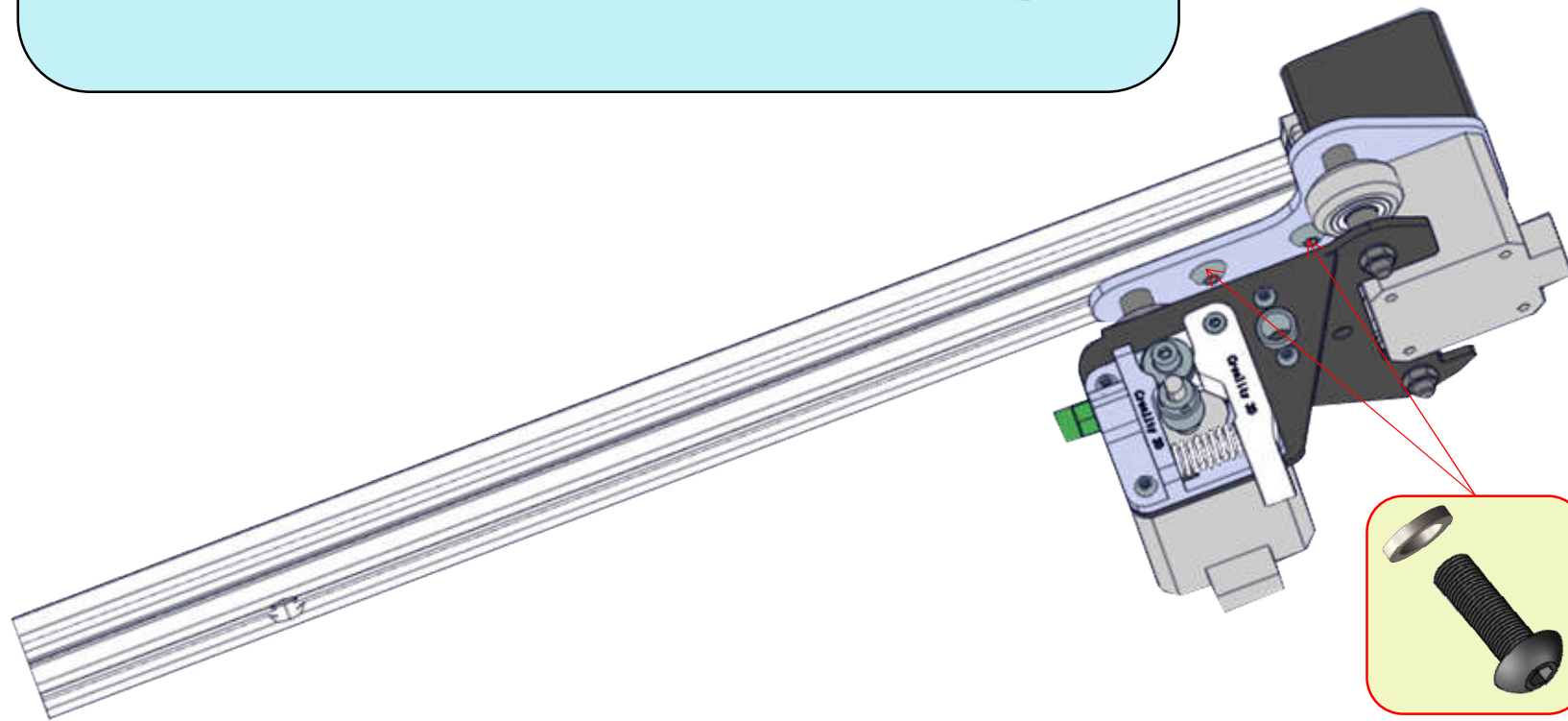
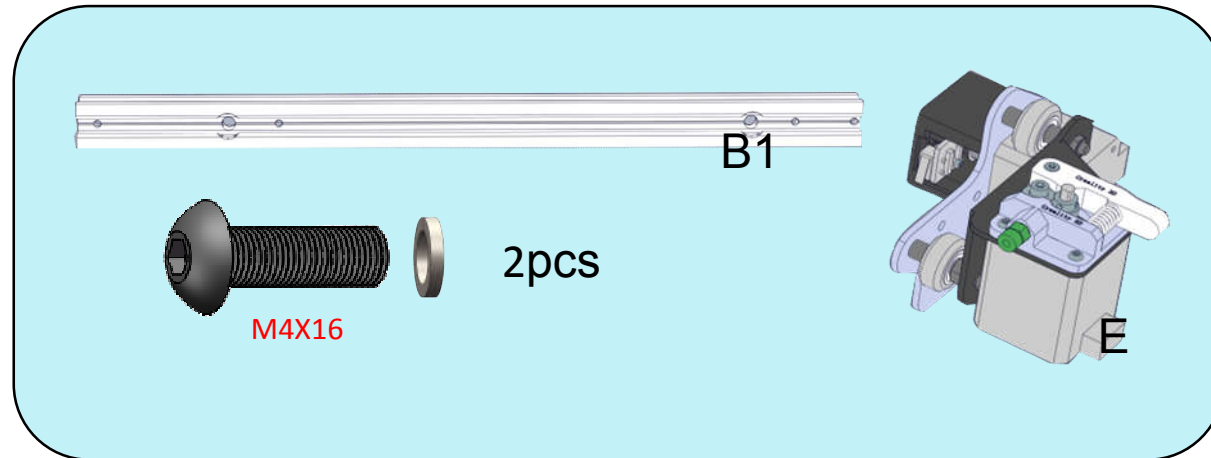
Step 3



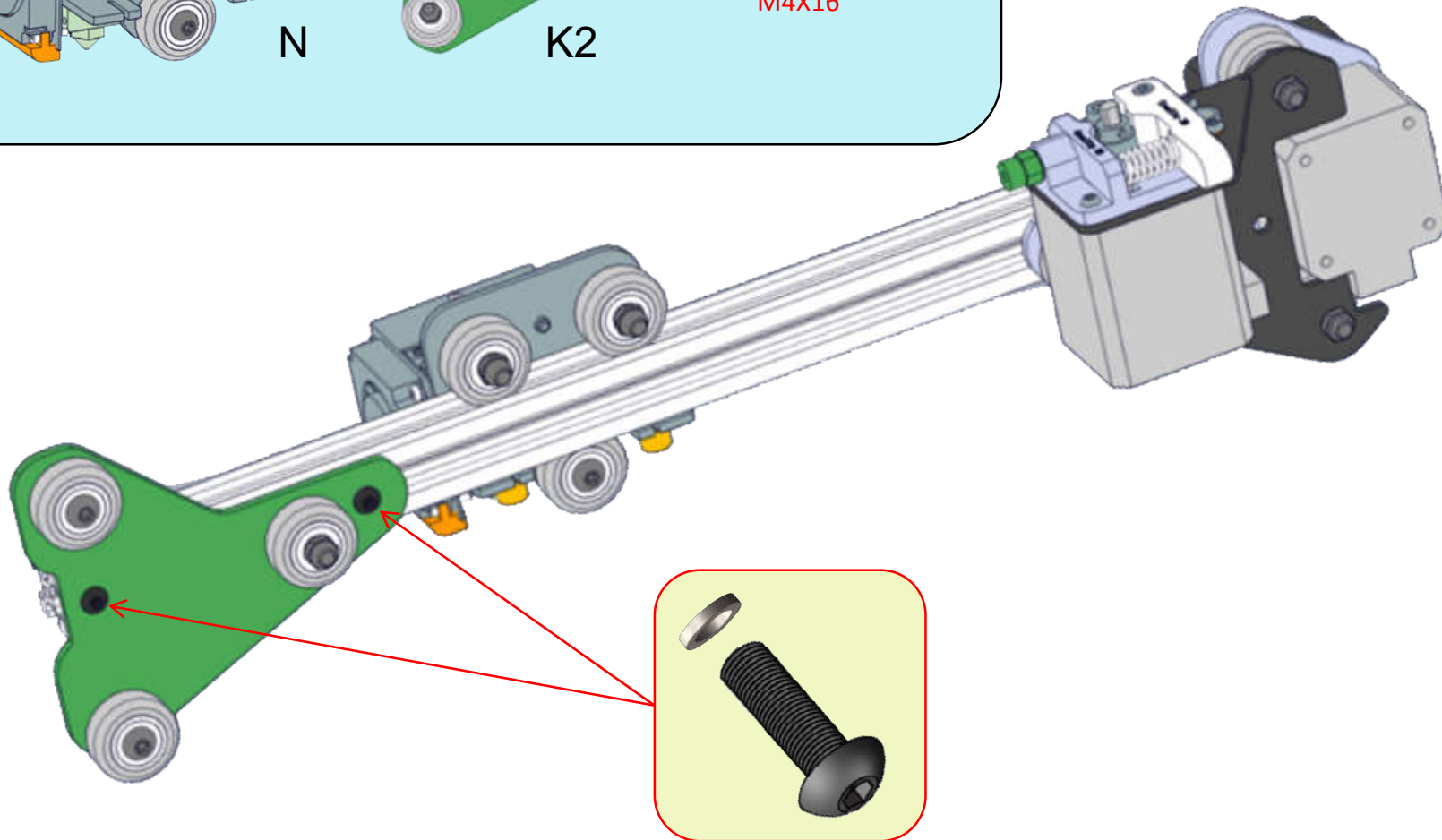
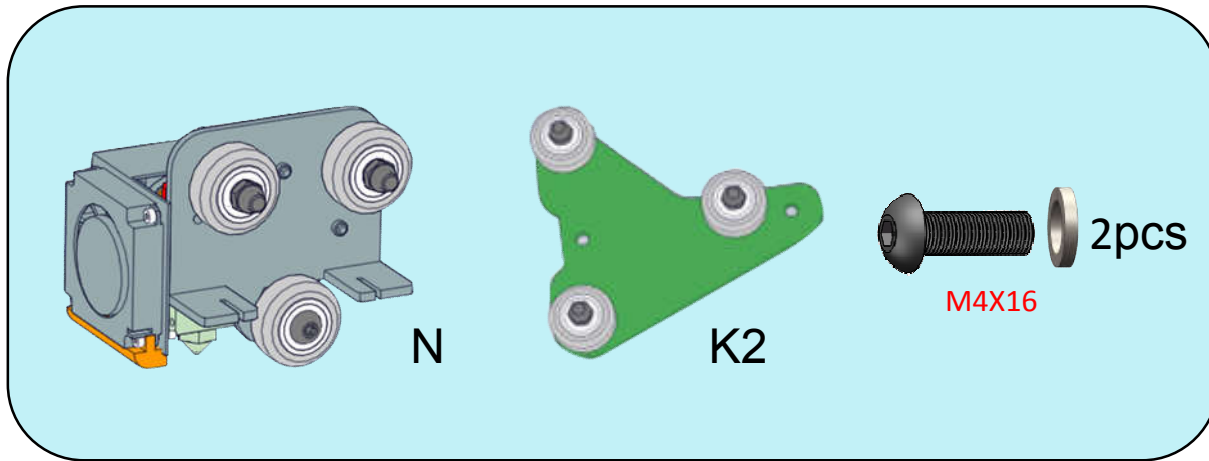
Step 4



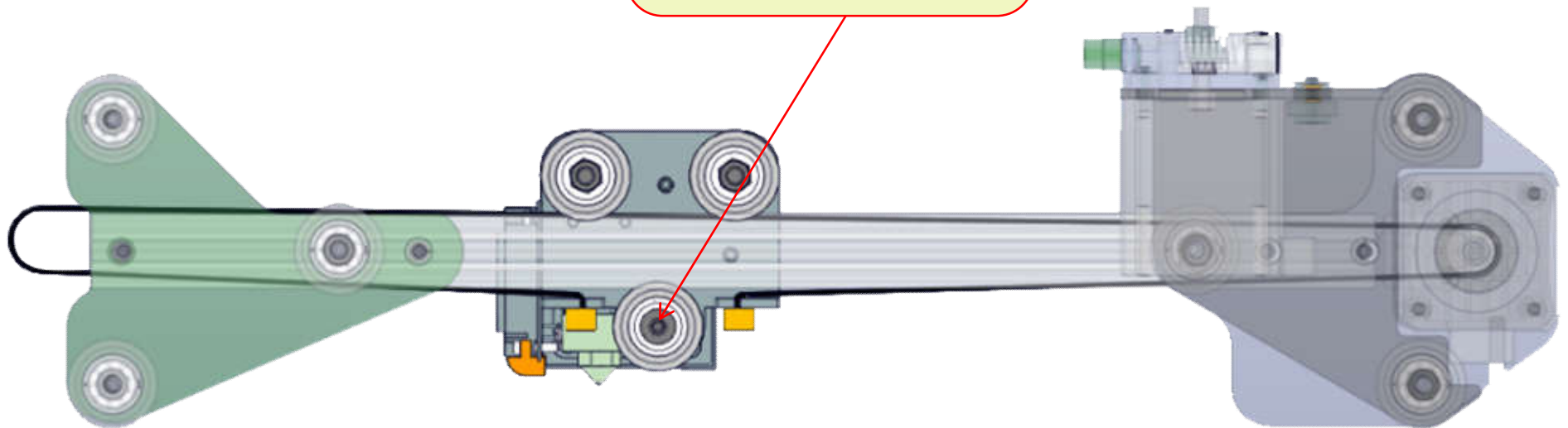
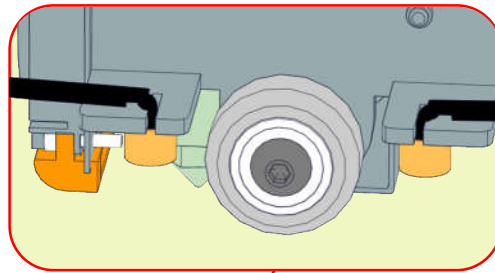
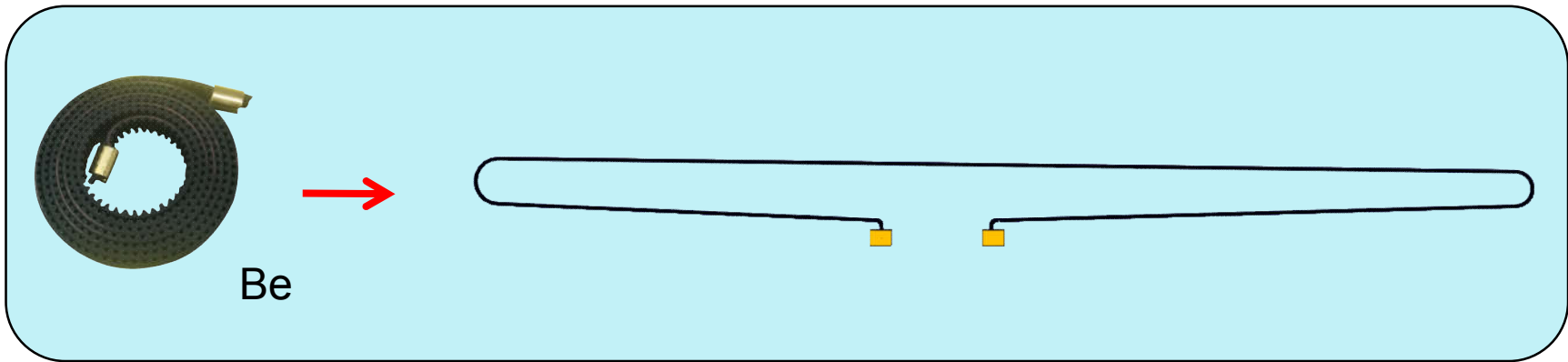
Step 5



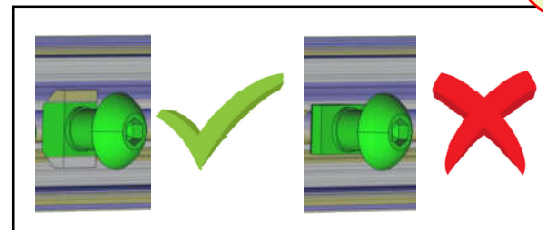
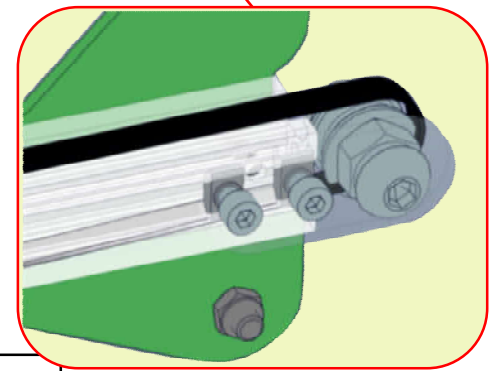
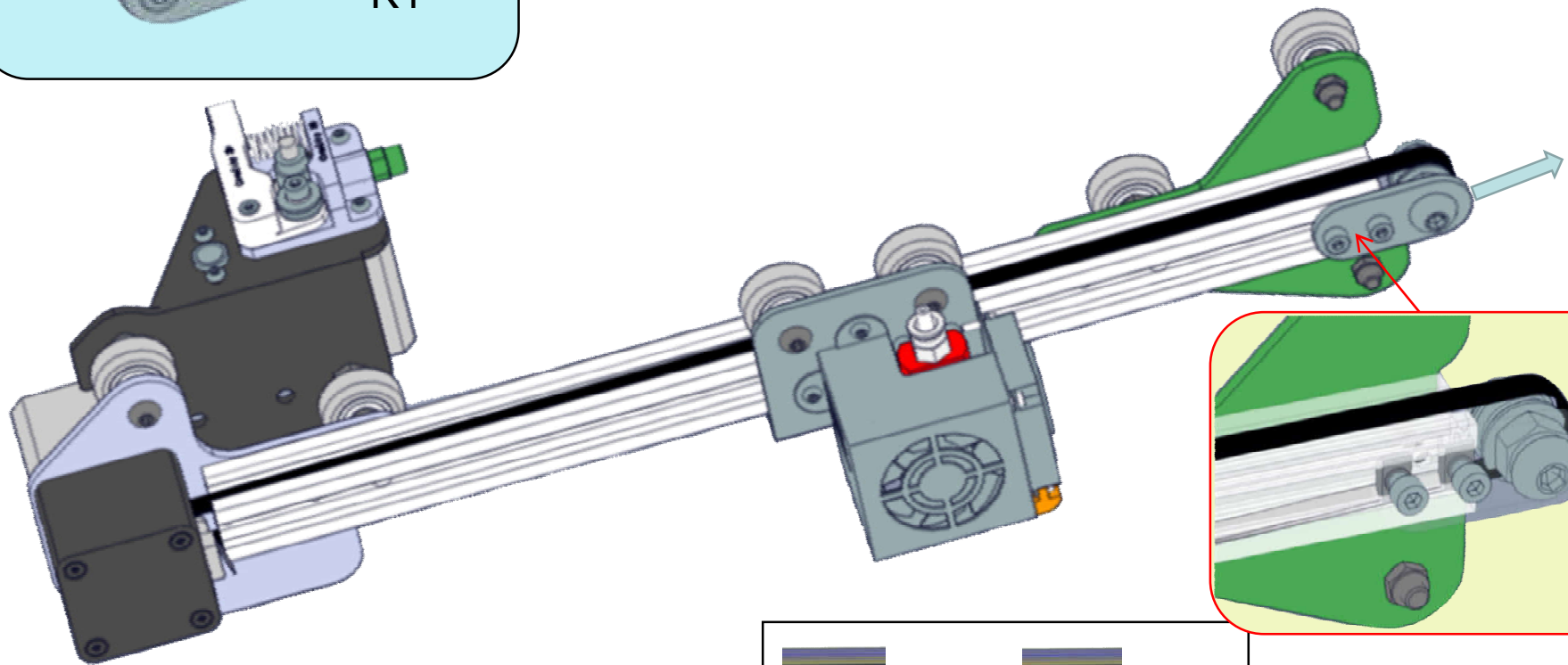
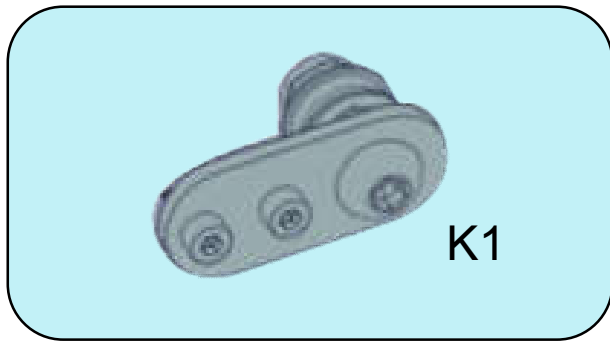
Step 6



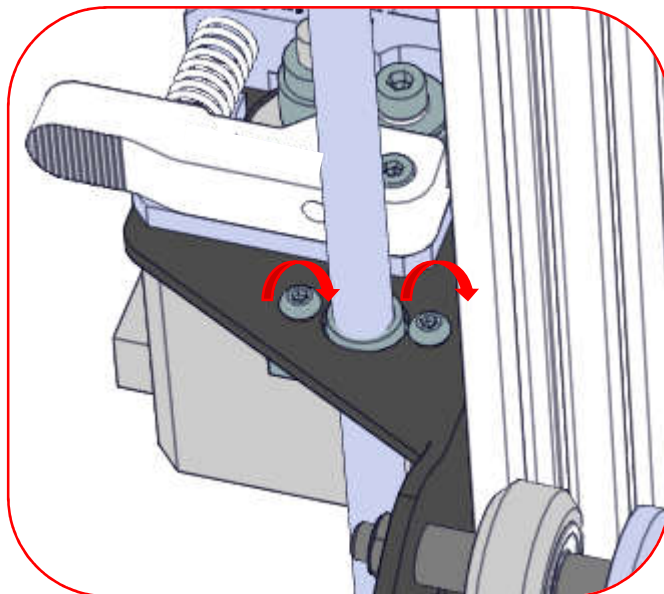
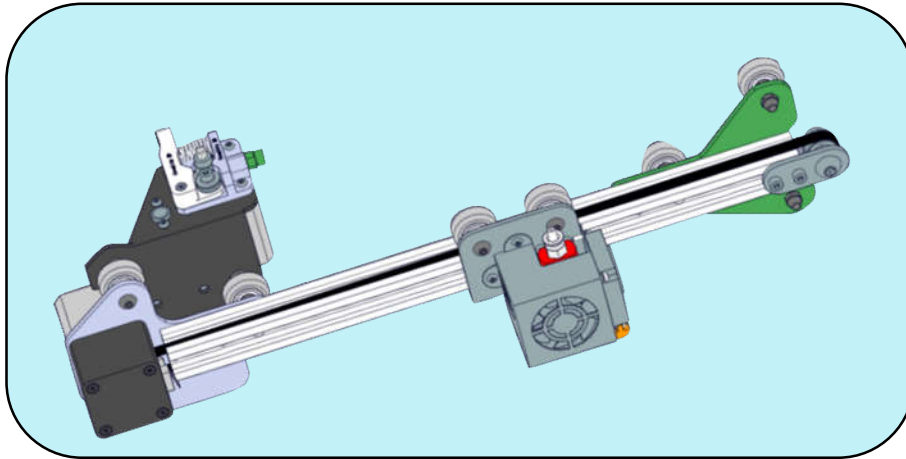
Step 7



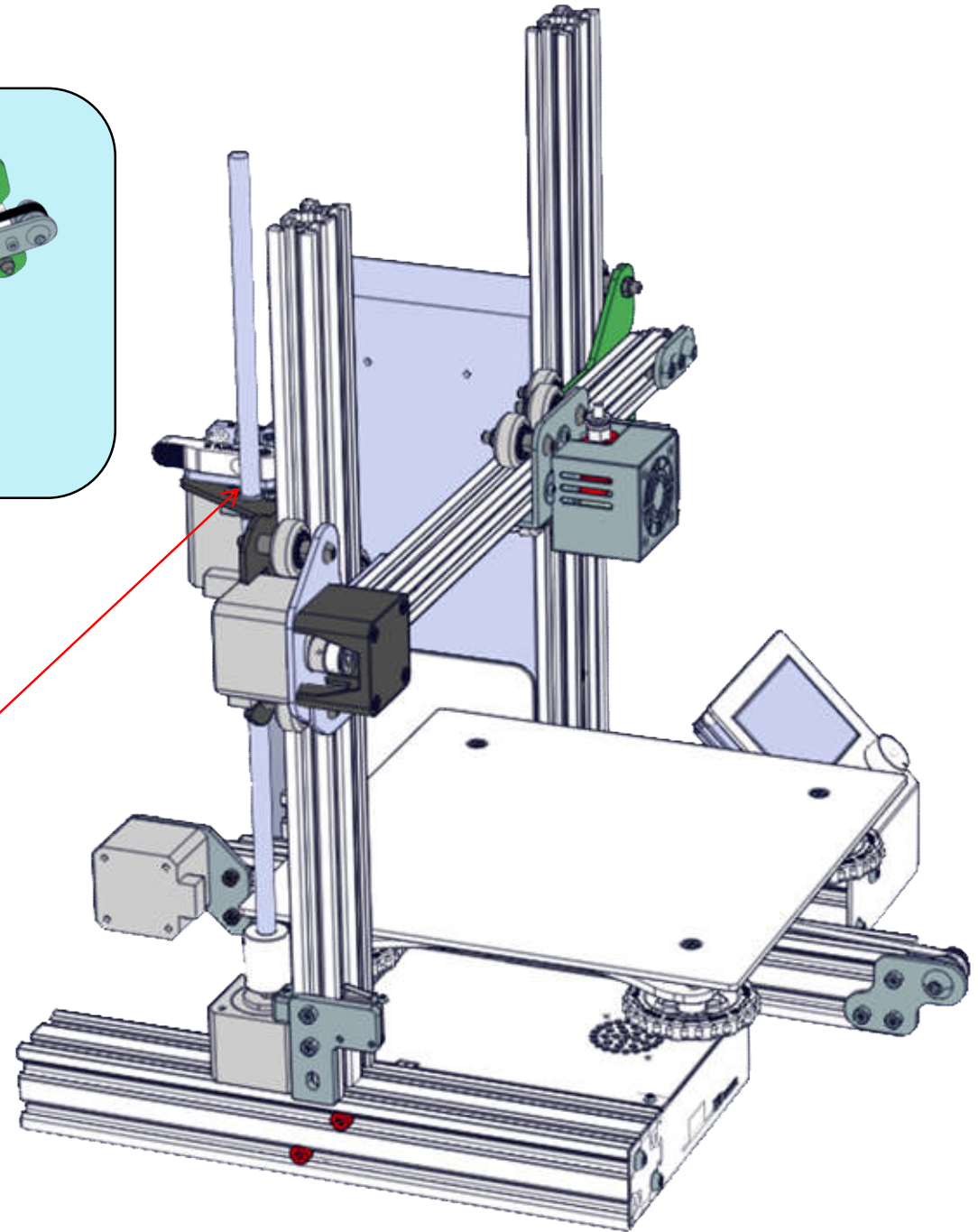
Step 8



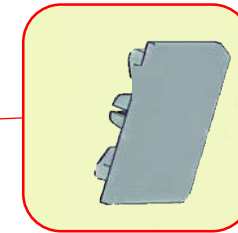
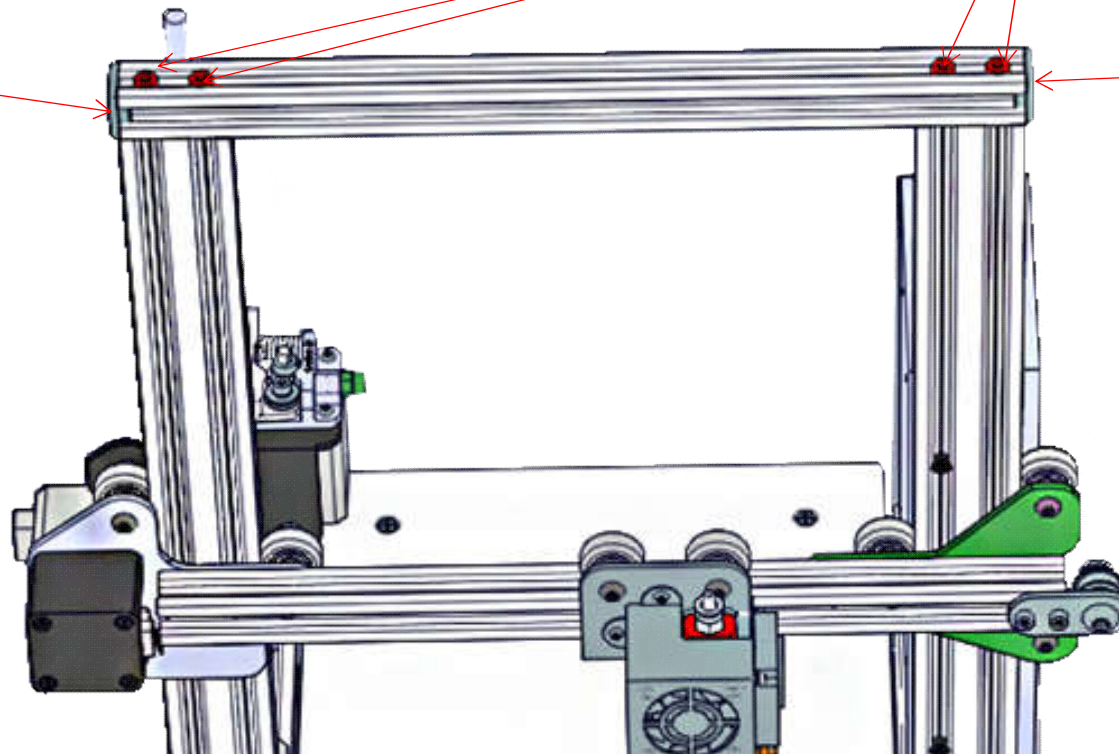
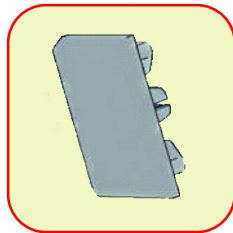
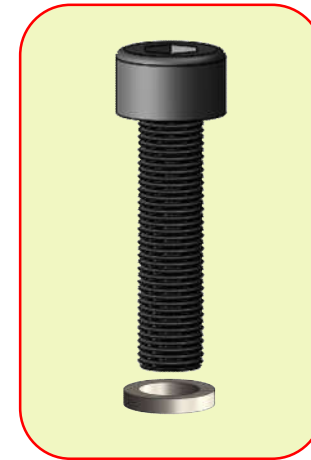
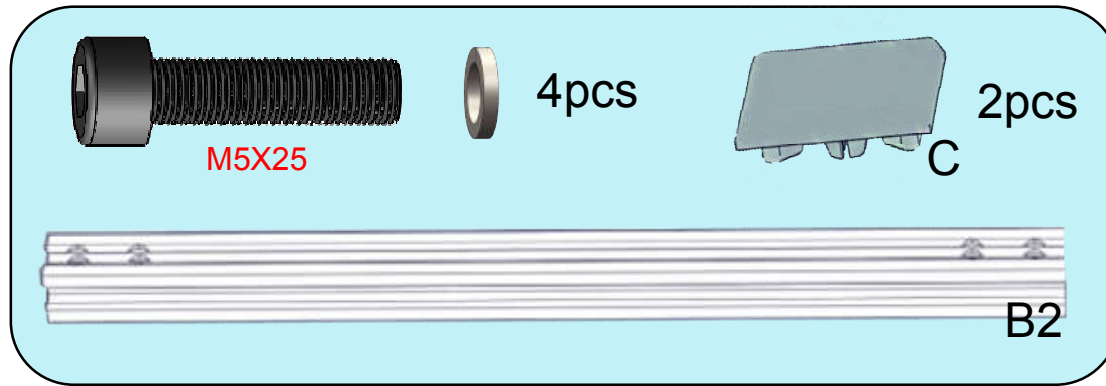
Step 9



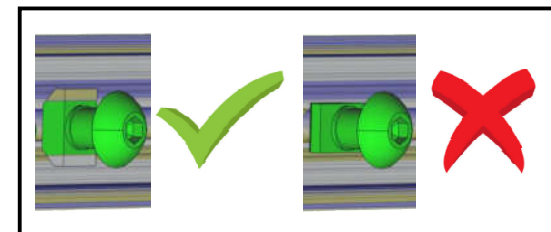
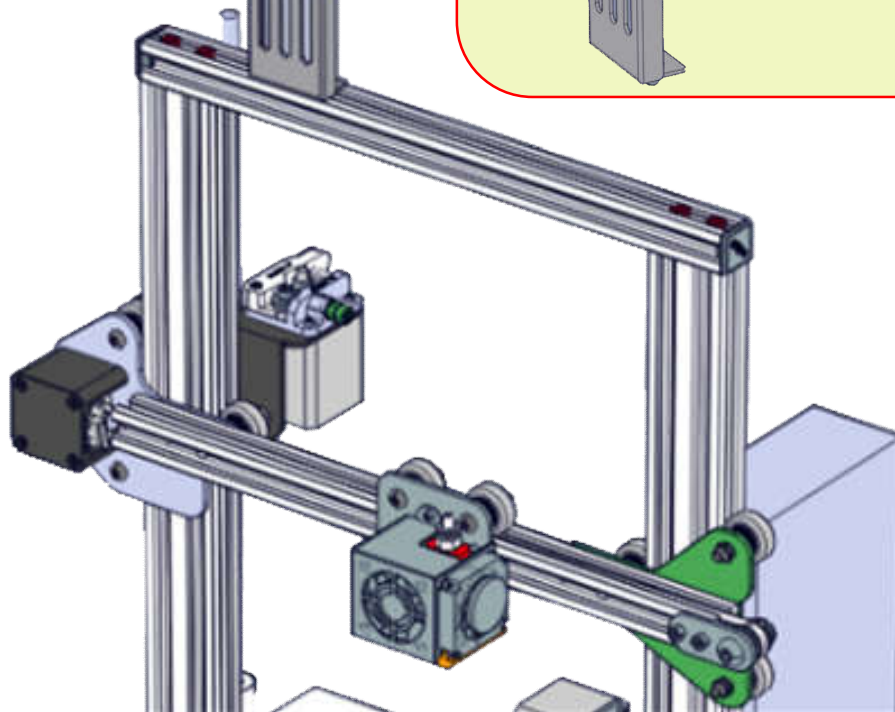
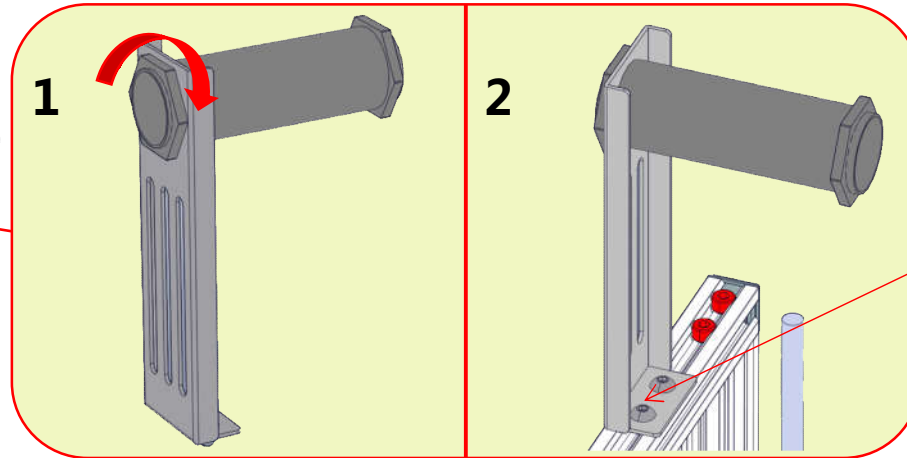
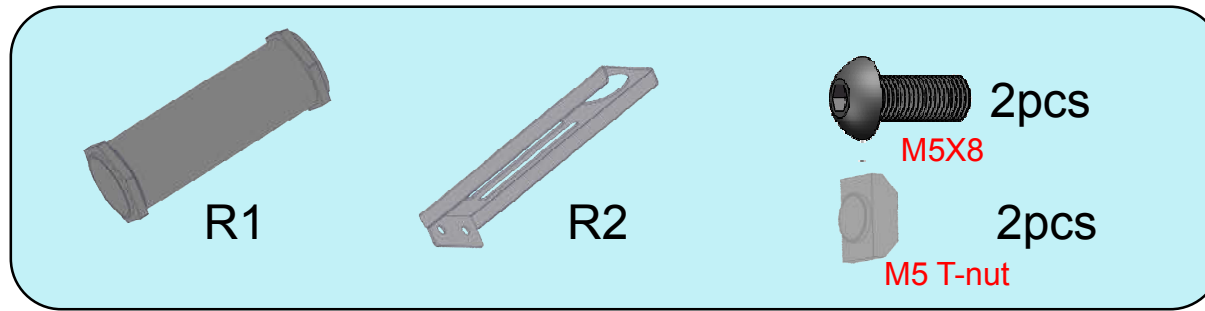
*Don't tighten it too tight



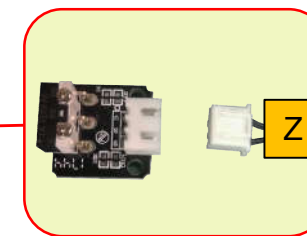
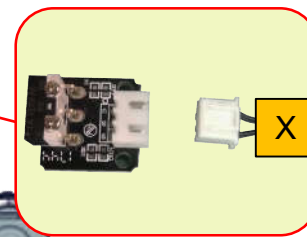
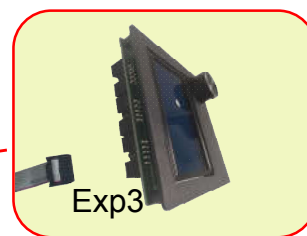
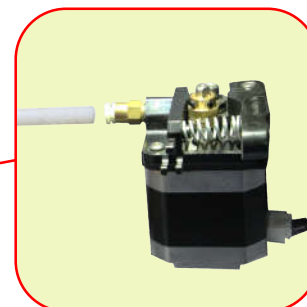
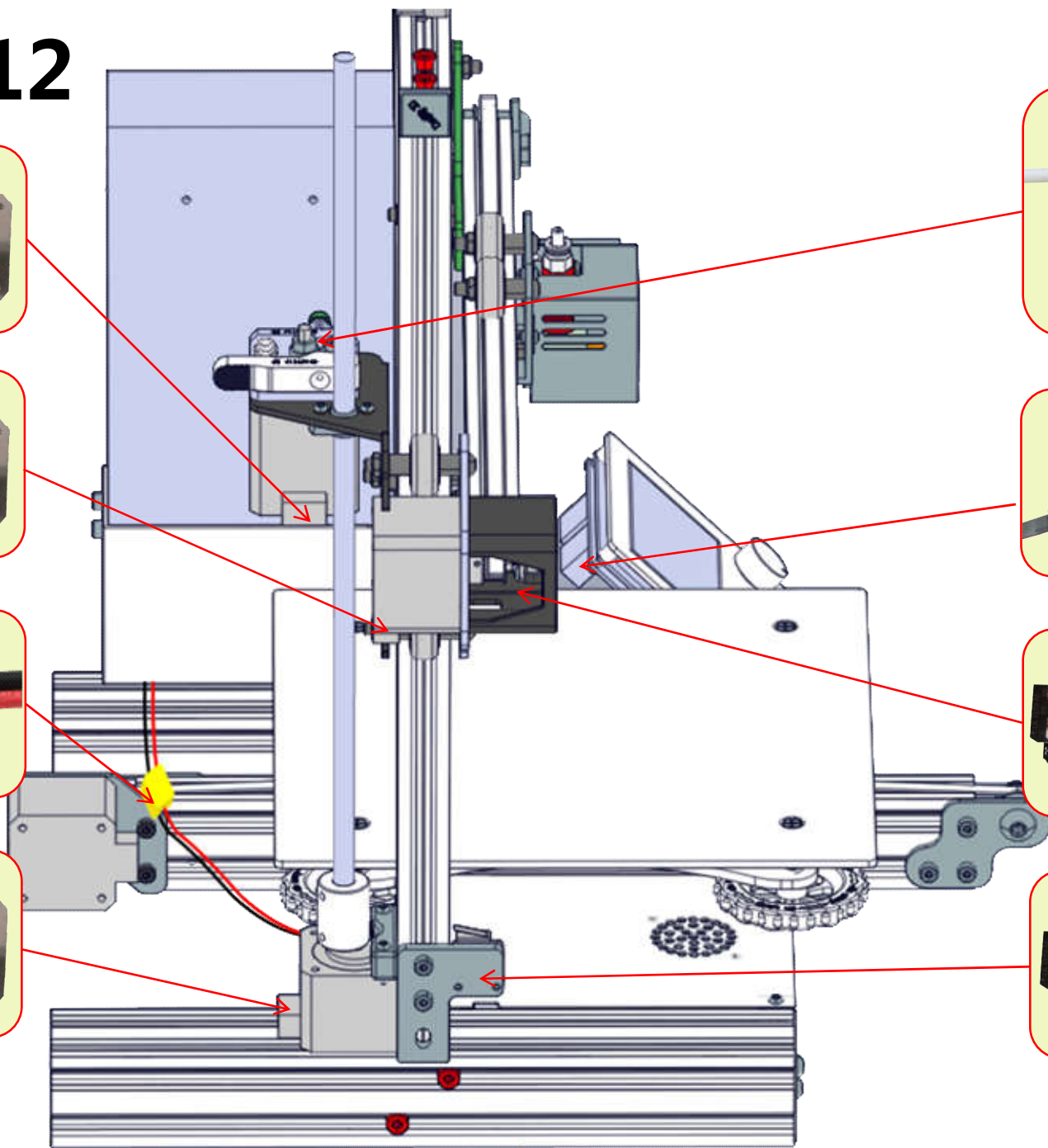
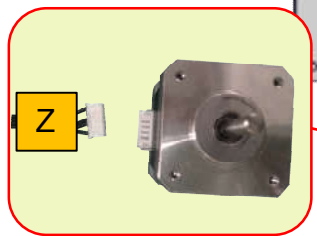
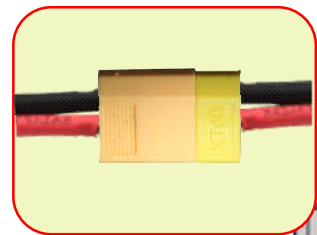
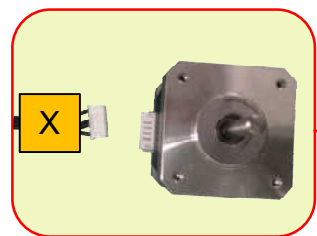
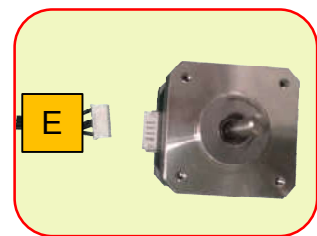
Step 10



Step 11



Step 12





Shenzhen Creality3D Technology CO.,LTD.

Official Website: www.creality3d.com

Company Address: 12F, Building No.3, Jinchengyuan Industrial Area, Huafan Road,
Dalang, Longhua, Shenzhen, Guangdong Province

