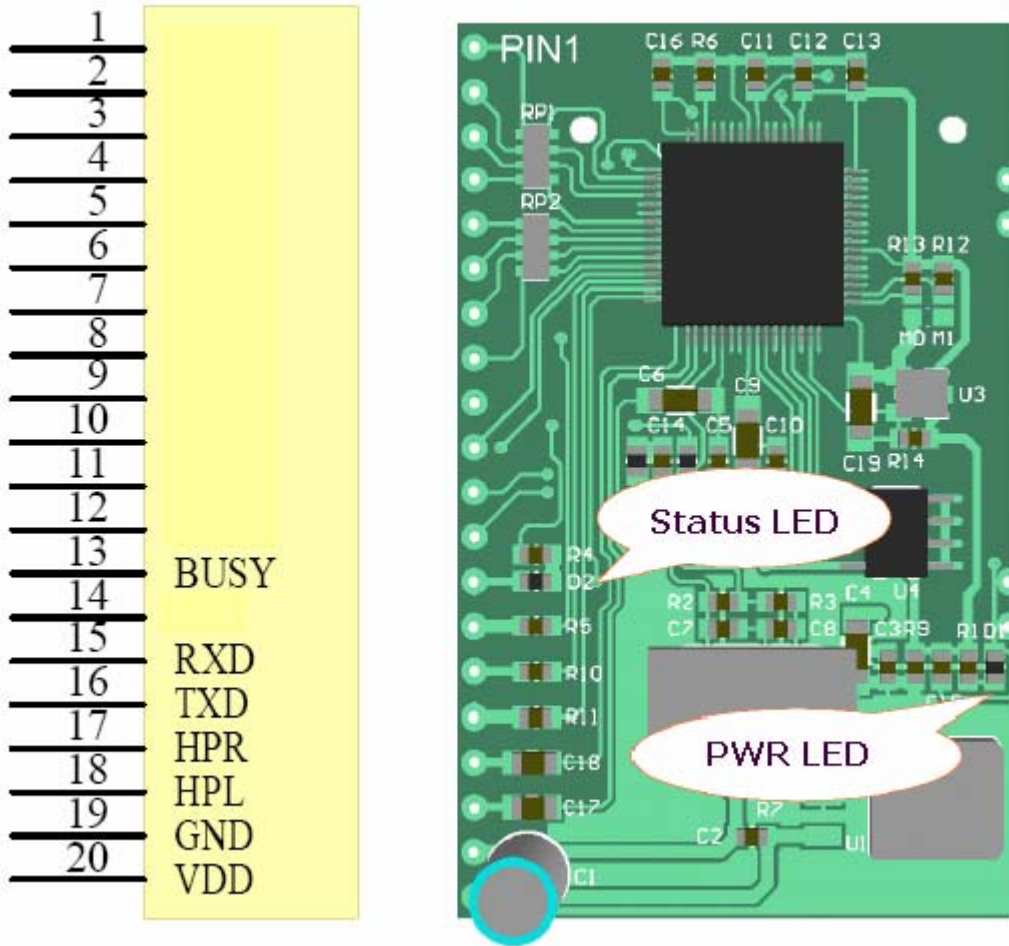


# RS232 SD Card MP3 Player Module

MDFLY

## Pins assignment:



Pin	Function
13	Busy (Output LOW when busy)
15	RX (TTL)
16	TX (TTL)
17	Audio out R
18	Audio out L
19	GND
20	DC 6-12V

**Control command set:**

Command (hex)	Function
000	Random play
001-199	Play specified MP3 file (001-199)
E8	Volume +
E9	Volume -
EA	Play/Pause
EB	Hold
EC	Resume
EF	Stop

For example: If you want to play song 001, just send 001 to the module.

**Specification:**

<b>Format:</b>	MP3 only
<b>File naming:</b>	001.mp3, 002.mp3...199.mp3 (Total 199 songs)
<b>Interface:</b>	Rx, Tx @TTL level
<b>Baud Rate:</b>	4800,N,8,1
<b>SD card:</b>	32M or up
<b>Power input:</b>	DC 12V